

- 一體成型
- 無螺栓. 墊片
- 此隔膜密封可安裝於壓力錶. 開關. 傳送器等, 為阻隔具有腐蝕性. 黏性與自然沉澱的傳感元件, 以避免阻塞和固化
- 用於噴漆. 廢水處理廠. 氯化廠可能會影響使用壽命

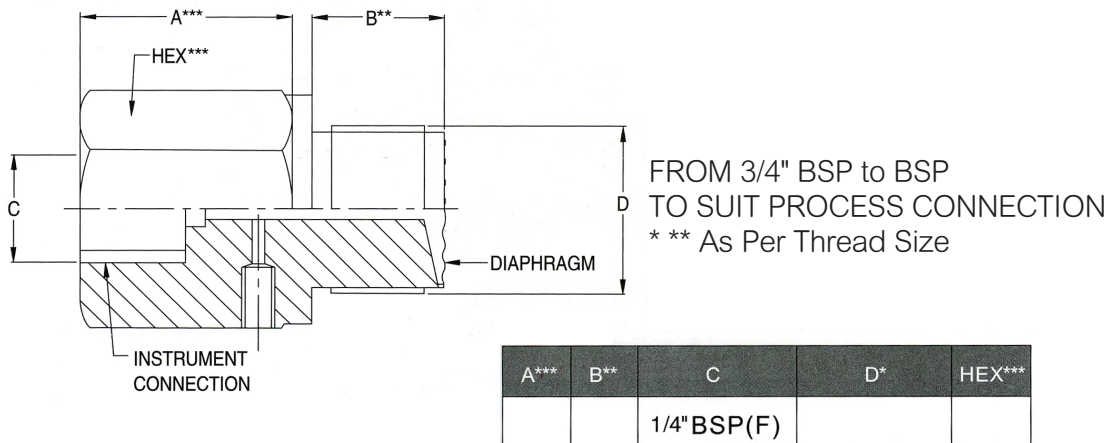


規格特性

- ◆範圍：4 kg/cm²~250 kg/cm²
- ◆工作溫度：-40°C~200°C 或根據每次填充液
- ◆本體牙口：1/4" BSP (F)
- ◆接續牙口：3/4" BSP (M)
- ◆隔膜材質：AISI 316L SS
- ◆本體材質：AISI 316L SS
- ◆填充液：矽油-DC 200

*有安裝密封隔膜的壓力錶
最大可達NS 63 mm或 NS 100mm

尺寸圖



選用型號規格

BASIC MODEL

BBT

OPTIONS

FOR NON STANDARD PRODUCTS/OPTIONAL ITEMS, PLEASE CONTACT FACTORY FOR DELIVERY AND MINIMUM QUANTITY OF ORDER.

CHAMBER 本體材質

- Y1 AISI 316LSS
Y2 AISI 304SS
Y3 HASTELLOY 'C'

Y1

DIAPHRAGM 隔膜材質

- T8 AISI 316L SS
T9 HASTELLOY 'C'

T8

INSTRUMENT CONNECTION 本體牙口

- Q4 1/2" NPT (F) Q1 1/2" BSP (F)
Q3 1/4" NPT (F) Q2 1/4" BSP (F)
Q5 3/8" NPT (F) Q6 3/8" BSP (F)

Q4

PROCESS CONNECTION 接續牙口

- O15 1" NPT (M) O16 3/4" NPT (M) O17 2" BSP (M) O12 1/2" NPT (M)*
O18 1 1/2" NPT (M) O19 1" BSP (M) O20 3/4" BSP (M)
O21 2" NPT (M) O22 1 1/2" BSP (M) O11 1/2" BSP (M)*

O15

* Suitable for Pressure Transmitters only.

FILLING FLUIDS 填充液

- T1 FLUROLUBE 4.2 [-45 TO 175°C / -49 TO 374° F]
T3 FLUROLUBE 6.3 [-40 TO 235°C / -40 TO 455° F]
T5 FLUROLUBE FS5 [-40 TO 150°C / -40 TO 302° F]
T7 FOOD GRADE OIL [-20 TO 140°C / -4 TO 284° F]
T9 SILICON DC 200-10CS [-40 TO 205°C / -40 TO 401° F]
T8 SYL THERM XLT [-75 TO 150°C / -102 TO 302° F]
T10 HALOCARBON OIL

T1

TYPE

- G1 WITHOUT CAPILLARY G2 WITH CAPILLARY

G1

CAPILLARY

- H1 AISI 304 SS H2 AISI 316 SS

H1

CAPILLARY COVERED WITH ARMOUR

- I1 AISI 304 SS I2 AISI 316 SS I3 PVC

I1

CAPILLARY LENGTH(Max up to 2Mtrs.)

IN METERS (e.g. 1.5 = 1.5 METERS 2.0 = 2 METERS)

1Mtr.

OTHER OPTIONS

- K3 HELIUM LEAK TEST K4 DRY SEAL ONLY WITHOUT INSTRUMENT

K3

Ordering Example:

BBT-Y1-T8-Q4-O15-T1-G1-H1-I1-1Mtr.-K3

Note : ● Due to continuous improvement, the specification may vary from time to time.