

# 4 1/2 DIGITAL MICRO-PROCESS METER with 1~4 ALARMS / ANALOG OUTPUT / RS-485

# DC5L-A

## FEATURES

- Accuracy:  $\pm 0.1\%$  F.S.  $\pm 1$  digit (DC / Potentiometer / Resistor / PT-100)  
 $\pm 0.2\%$  F.S.  $\pm 1$  digit (AC)
- Measuring AC, DC Voltage / AC, DC Current / Potentiometer / Resistor / PT-100
- High brightness 0.8" LED display range: -19999~19999; decimal point selectable
- Max. Hold / Data Hold / Reset / 2~4 Alarms (Hi or Lo) programmable / Analog output (15 bit resolution) / RS-485 communication optional (The above options can exist together)
- High stability, non-flammable case (PC), high safety



## ORDER INFORMATION: DC5L-A - [Code 1] [Code 2] - [Code 3] - [Code 4] [Code 5] [Code 6]

Code 1	Input Type	Code 2	Voltage	Code 2	Current	Code 2	RTD (PT-100)	Code 3	Aux. Power	Code 4	Alarm Output	Code 5	Analog Output	Code 6	RS-485
D	DC	V4	0~10V	A6	4~20mA	T2	-100~100°C	A	AC85~265V	N	None	N	None	N	None
A	AC AVG	V7	0~600V	A8	0~5A	T4	0~600°C			R1	1 Relay	A	4~20mA	Y	Yes
T	RTD (PT-100)	VO	Option	AO	Option	TO	Option			R2	2 Relays	V	0~10V		
2	2, 3 Wire Sensor									R3	3 Relays	O	Option		
4	4 Wire Sensor									R4	4 Relays				

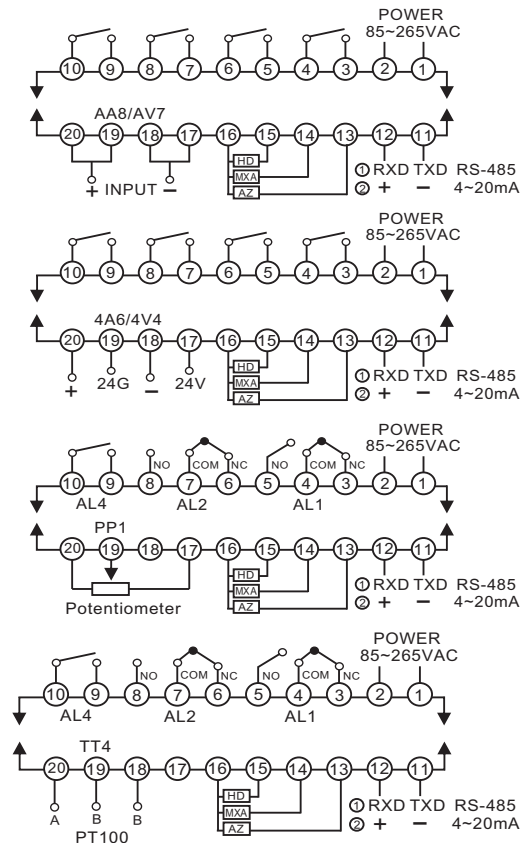
\*\*1: 3, 4 wire type offers excitation power DC24V for 3, 4 wire (Loop Power) pressure, temperature, humidity sensors using.

2: 3 Relay type only offers A(NormalOpen) output. O.C. (Open Collect) offers NPN of C.E. output.

## SPECIFICATION

- ◆ Accuracy:  $\pm 0.1\%$  F.S.  $\pm 1$  digit (DC / PT100)  
 $\pm 0.2\%$  F.S.  $\pm 1$  digit (AC)
- ◆ Display Screen: High brightness red LED; 20.3mm(0.8")
- ◆ Sampling Cycle: 16 cycles / sec (AVG=1)
- ◆ Display Range: -19999~19999
- ◆ Zero Adjustment: -19999~19999
- ◆ Over Range Indication: UUUU
- ◆ Polarity Indication: Automatic with "-" indication
- ◆ Parameters Setting: Push buttons
- ◆ Back Up Memory: EEPROM
- ◆ Alarm Action: " $\geq$  (Hi) on" or "< (Lo) on"
- ◆ Alarm Hysteresis Range: 0~9999
- ◆ Alarm Run Delay Time: 0~99 sec
- ◆ Relay Contact: AC 277V / 7A; DC 30V / 7A
- ◆ Analog Output Resolution: 15 bit
- ◆ Output Response Time: <250 msec (0~90%)
- ◆ Output Capability: Voltage Output: <20mA  
Current Output: <10V
- ◆ Communication: RS-485 Modbus RTU mode
- ◆ Baud Rate: 19200 / 9600 / 4800 / 2400 bps
- ◆ Parity Check: n.8.2. / n.8.1. / odd / even
- ◆ Temperature Coefficient: 100ppm / °C (0~60°C)
- ◆ Operating Temperature: 0~60°C
- ◆ Operating Humidity: 20~90% RH (non-condensing)
- ◆ Storage Temperature: -10~70°C
- ◆ Storage Humidity: 20~90% RH (non-condensing)
- ◆ Power Supply: AC85~265V
- ◆ Power Consumption: 8.5VA (all functions output)
- ◆ Surge Test: 2KVac / 1min (Input / Power)
- ◆ Input Impedence: Voltage:  $\geq 2V$  for 20K $\Omega$  / V;  $\leq 2V$  for >200M $\Omega$   
Current:  $\geq 0.2A$  at 100mV; <0.2A at 1V

## WIRING CONNECTION



## DIMENSION

