

5 DIGITAL MICRO-PROCESS METER

DC4-R

FEATURES

- Accuracy: $\pm 0.03\%$ F.S.; Max. Input frequency: 6KHz
- Measuring AC Frequency / DC Pulse / Magnetic
- High brightness 0.8" LED display: 0~99999; decimal point selectable
- Line-Speed / RPM / Frequency selectable
- Line unit: M, Ft, Y/min selectable
- RPM pulse input programmable: 1~99999
- Dual input and display values selectable for different parameters
- 1~2Alarms (Hi or Lo) programmable / Analog output (15 bit resolution) / RS-485 communication optional
- High stability, non-flammable case (PC), high safety
- CE approval



ORDER INFORMATION: DC4-R - [Code 1] [Code 2] - [Code 3] - [Code 4]

Code 1	Input Signal	Code 1	Input Signal
N5	NPN(5V)	VE	DC 24Vp
N2	NPN(12V)	CT	Contact
P5	PNP(5V)	O	Option
P2	PNP(12V)		

Code 2	Display Unit
H	Hz
R	RPM
M	M/min
Y	Y/min
F	F/min

Code 3	Aux. Power
A	AC 115/230V

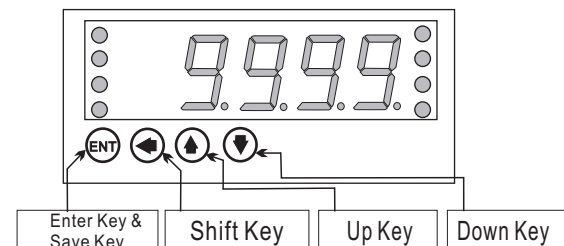
Code 4	Output	Code 4	Output
N	None	A	4~20mA
R1	1 Relays	V	0~10V
R2	2 Relays	O	Option
Y	RS-485		

**1: NPN(5V), PNP(5V) offers excitation power DC5V; NPN(12V), PNP(12V) offers excitation power DC12V for sensors using.
2: Please use PNP/NPN(5V/12V) or DC24Vp for DC pulse input.

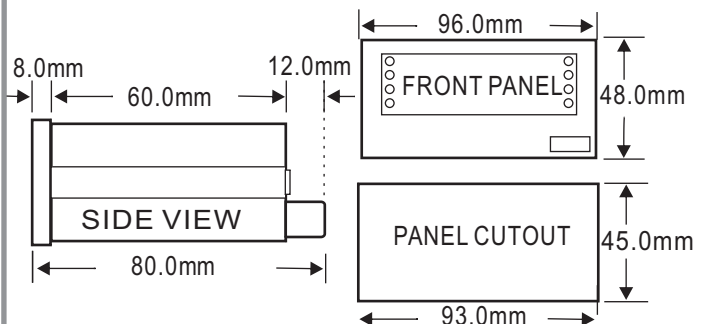
SPECIFICATION

- ◆ Accuracy: $\pm 0.03\%$ F.S.
- ◆ Display Screen: High brightness red LED; 20.3mm(0.8")
- ◆ Input Frequency: 0.01~6KHz
- ◆ Sampling Cycle: 15 cycles / sec: $\geq 15\text{Hz}$
f cycles / sec: $\leq 15\text{Hz}$
- ◆ Display Range: 0~99999
- ◆ Over Range Indication: ouFL
- ◆ Parameters Setting: Push buttons
- ◆ Back Up Memory: EEPROM
- ◆ Diameter Setting Range: 0.0001~9.9999 (M)
- ◆ Temperature Coefficient: 100ppm / $^{\circ}\text{C}$ (0~60 $^{\circ}\text{C}$)
- ◆ Operating Temperature: 0~60 $^{\circ}\text{C}$
- ◆ Operating Humidity: 20~90% RH (non-condensing)
- ◆ Storage Temperature: -10~70 $^{\circ}\text{C}$
- ◆ Storage Humidity: 20~90% RH (non-condensing)
- ◆ Power Supply: AC 110/220V $\pm 10\%$
- ◆ Power Consumption: <8.5VA
- ◆ Surge Test: 1.5KVac / 1min (Input / Power)
- ◆ Dimensions: 96(W)*48(H)*80(D) mm

FRONT PANEL & KEY FUNCTIONS

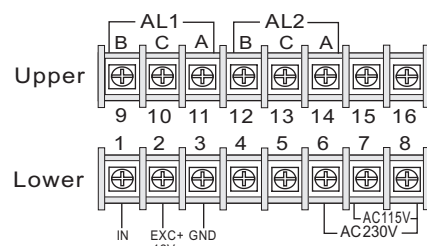


DIMENSION

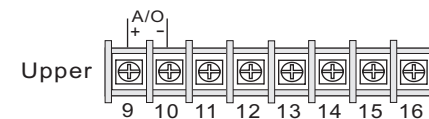


WIRING CONNECTION & ADJUSTMENT

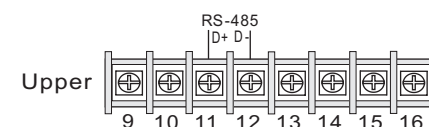
Relay output:



Analog output:



RS-485:



DIP SWITCH	1	2	3	4	5
NPN	ON				
PNP		ON			
Contact	ON				ON
DC 5Vp					
DC 12Vp			ON		
DC 24Vp				ON	

**D-S down is "ON"