

# CYLINDRICAL TYPE CAPACITIVE PROXIMITY SWITCH CA-1820

## FEATURES

- PBT plastic housing
- Plug socket optional, easily installation
- Detecting distance: 1~20 mm



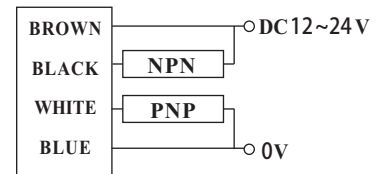
## ORDER INFORMATION : CA-1820 - Code 1

Code 1	Wire Type
Empty	2 M Wire
P	Plug Socket
O	Option

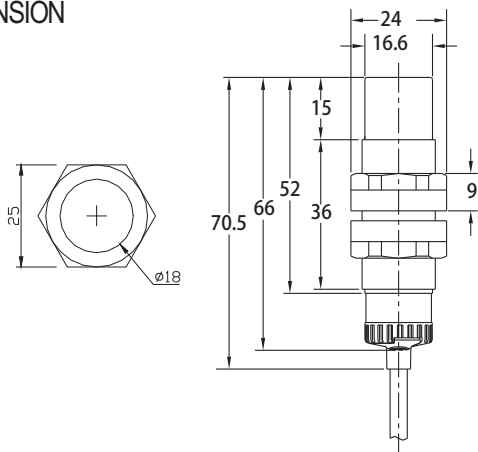
## SPECIFICATION

- ◆ Max. Detecting Distance: 20 mm  $\pm 10\%$
- ◆ Stable Detecting Distance: 1~16 mm
- ◆ Standard Detecting Object: Conducting neutral
- ◆ Hysteresis: 15% of operating distance
- ◆ Repetitive Accuracy:  $\pm 10\%$
- ◆ Circuit Protection: Polarity circuit protection
- ◆ Power Supply: DC 12~24V
- ◆ Load Current: 100 mA
- ◆ Response Frequency: 60 Hz
- ◆ Operating Indicator: Red LED
- ◆ IP Protection: IP66
- ◆ Vibration Resistance: 10~55Hz, 1.5mm X, Y, Z for 2 hours
- ◆ Shock Resistance: 500m/s (50g), X, Y, Z for 3 times
- ◆ Operating Temperature: -25~70°C
- ◆ Operating Humidity: 35~80% RH (non-condensing)
- ◆ Storage Temperature: -30~80°C
- ◆ Storage Humidity: 35~95% RH (non-condensing)
- ◆ Housing Material: PBT resin
- ◆ Wire Material: PVC cable, 2 M wire length
- ◆ Weight: About 70g

## WIRING CONNECTION



## DIMENSION



### ● Plug Socket

