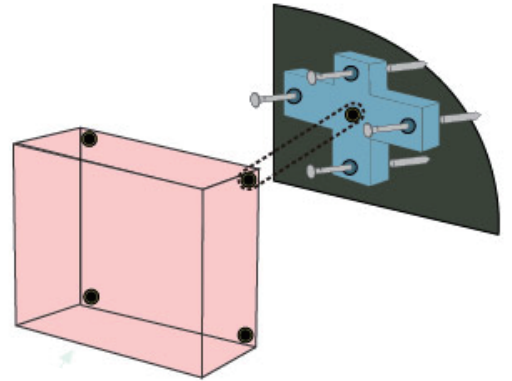


SPECIFICATION

- ◆ Measuring range: Temperature: 0~50℃ or 0~100℃
Humidity: 20~95% relative humidity
- ◆ Accuracy: Temperature: ±0.15%
Humidity: ±2%
- ◆ Output signal: Temperature: 4~20mA two wires/ PT100
Humidity: 4~20mA two wires/ 10%~90%
- ◆ Load resistance: Current output, maximum 600Ω
- ◆ Power consumption: 4m about 0.096w / 20mA about 0.48w
- ◆ Power supply: External supply of DC24V
- ◆ Shell: IP65 waterproof plastic shell
- ◆ Weight: About 650g
- ◆ Environment temperature: -20 to +60 degrees
- ◆ Output: Current output 0~20mA or 4~20mA
- ◆ Accessories: Cross mount*4

FIXED INSTRUCTION

Fasten the four corner holes from the middle of a cross then screw it tightly.



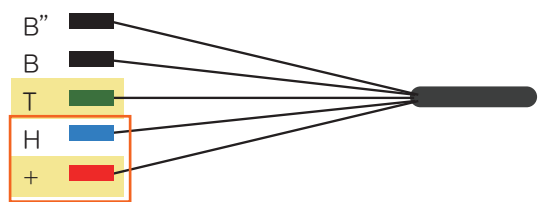
OPTION



**LOUVER COVER
LH-COVER**

WIRING CONNECTION

Temperature: 2 wires. 3 wires



Humi. O/P:4-20mA

Temp. O/P:4-20mA