

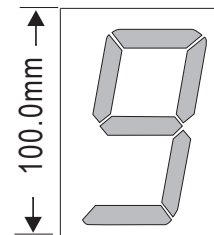
- Application: engineering project, swimming pool, hot spring, greenhouse, field work.
- Input signal: K type / PT type / 4-20mA.
- LED size: 4 inches.

SPECIFICATION

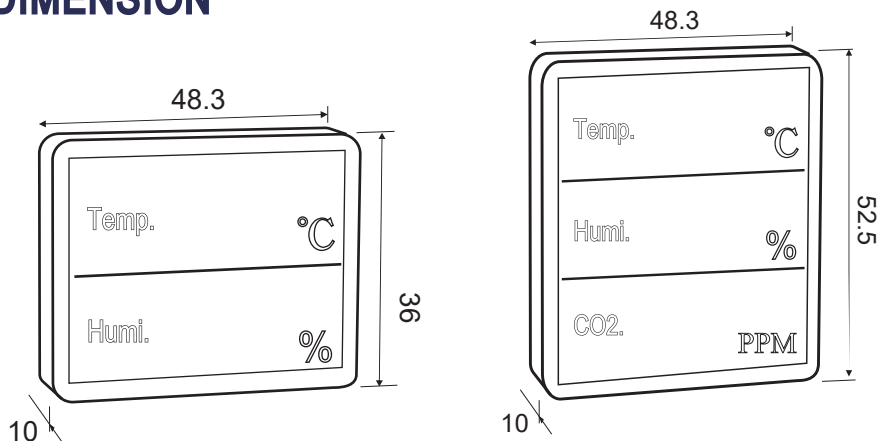
- ◆ Dimension: 2S: 48.3x36x10cm
3S: 48.3x52.5x10cm
- ◆ LED size: 4"(Height 10cm)
- ◆ LED color: Red
- ◆ Input Signal: 4-20mA / PT100 / K / 0-10V / RS485
- ◆ Power supply: AC85~265V
- ◆ Material: Special aluminum frame
- ◆ Function: 1 Relay (8 types)
Retransmission function (synchronization function)
RS485 communication function

LED SIZE

LED Size: 10cm (4")



DIMENSION



Unit: CM