

- Used mainly to protect pressure instruments, gauges, switches and transmitters.
- Contact with high temperature process fluids or vapours.
- Reduce process pulsation, act as heat dispenser and generate cooling effect.



SPECIFICATION

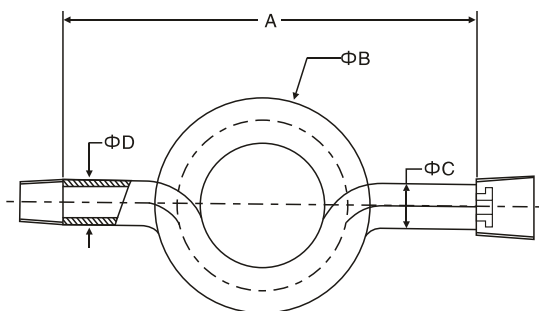
- ◆ Material: AISI 316 Stainless Steel
- ◆ Pipe Diameter: Schedule 40*/ 80*/ 160*
- ◆ Operating Temperature: Carbon steel: 150 kg/cm² at 430 °Cmax.
Stainless steel: 135 kg/cm² at 450 °Cmax.

ORDER INFORMATION

BCF- Code1 - Code2

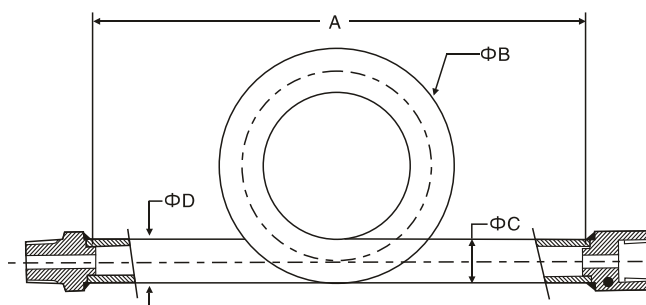
Code1	Body type	Code2	Pipe size
C	Coil	4	1/2" Sch 40
P	Pigtail	8	1/2" Sch 80
U	U type	16	1/2" Sch 160

DIMENSION



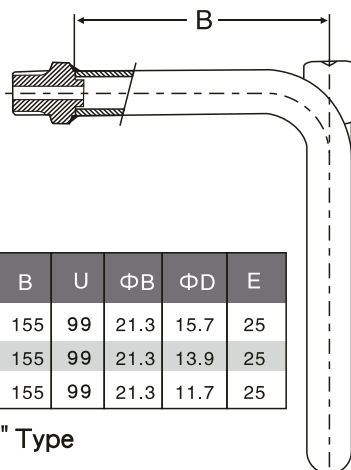
Code2	Pipe size	A	ΦB	ΦC	ΦD	E
4	1/2" Sch.40	240	58	21.3	15.7	25
8	1/2" Sch.80	240	58	21.3	13.9	25
16	1/2" Sch.160	240	58	21.3	11.7	25

Coil Type



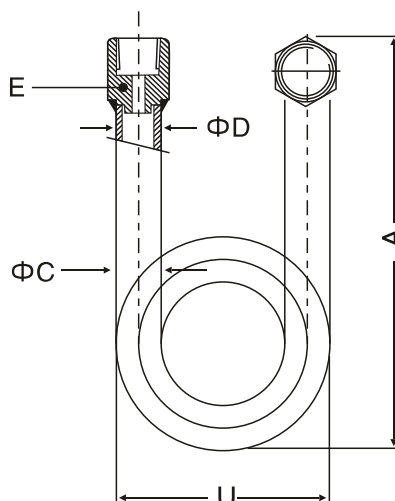
Code2	Pipe size	A	ΦB	ΦC	ΦD	E
4	1/2" Sch.40	240	110	21.3	15.7	25
8	1/2" Sch.80	240	110	21.3	13.9	25
16	1/2" Sch.160	240	110	21.3	11.7	25

Pigtail Type



Code2	Pipe size	A	B	U	ΦB	ΦD	E
4	1/2" Sch.40	180	155	99	21.3	15.7	25
8	1/2" Sch.80	180	155	99	21.3	13.9	25
16	1/2" Sch.160	180	155	99	21.3	11.7	25

"U" Type



COMBINATION

