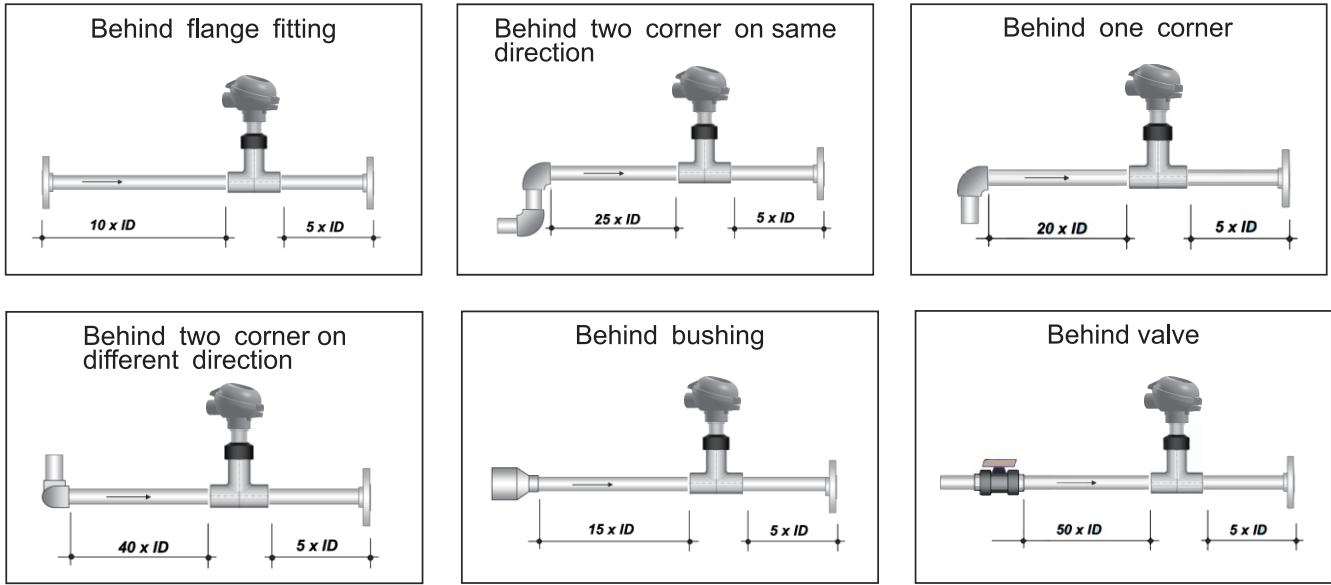


# INSTALLING NOTE

■ Standard installation diagram according to EN ISO 5167-1 (ID is for inner diameter)



\*If can not be suit this situation, please make the calibration of K factor.

## ■ Installation angle

-Installing in horizontal pipe system

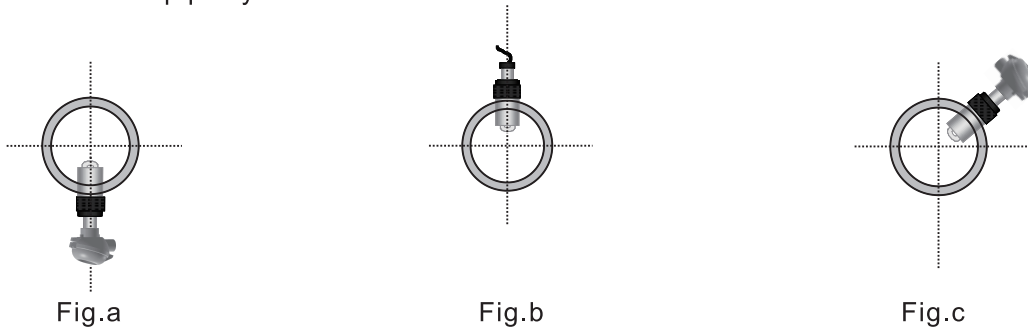


Fig.a: Installation for the pipe without sediment.

Fig.b: Installation for the pipe without bubble and must be full.

Fig.c: The best installation position can avoid the influences of sediment and bubble.

-Installing in vertical pipe system

It can be installed at any angle, the better installation flow direction is from bottom to top.

## ■ Installation Precautions

