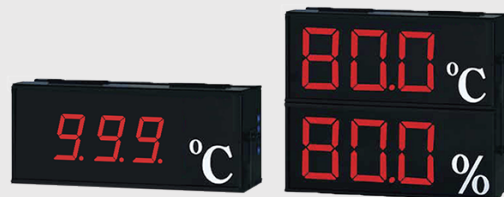


- Accuracy: $\pm 0.1\%$ F.S. ± 1 digit (DC / PT-100)
 $\pm 0.2\%$ F.S. ± 1 digit (AC)
- Measuring AC, DC Voltage / AC, DC Current / PT-100)
- High brightness LED display range: -199~999
- High stability, non-flammable case (PC), high safety



SPECIFICATION

- ◆ Accuracy: $\pm 0.1\%$ F.S. ± 1 digit (DC / Potentiometer / PT-100 / $\pm 0.2\%$ F.S. ± 1 digit (AC)
- ◆ Display Screen: High brightness red LED
- ◆ Sampling Cycle: 3 cycles / sec
- ◆ Display Range: -199~999
- ◆ Zero Adjustment: $\pm 5\%$
- ◆ Over Range Indication: 1 or -1
- ◆ Polarity Indication: Automatic with "-" indication
- ◆ Temperature Coefficient: 100ppm / °C (0~60°C)
- ◆ Operating Temperature: 0~60 C
- ◆ Operating Humidity: 20~90% RH (non-condensing)
- ◆ Storage Temperature: -10~70°C
- ◆ Storage Humidity: 20~90% RH (non-condensing)
- ◆ Power Supply: AC 115/230V $\pm 10\%$
- ◆ Power Consumption: 4.5VA
- ◆ Surge Test: 2KVac / 1min (Input / Power)
- ◆ Input Impedence: Voltage: $> 2V$ for 20K Ω / V; $\leq 2V$ for $> 200M\Omega$
Current: $\geq 0.2A$ at 100mV; $< 0.2A$ at 1V

ORDER INFORMATION

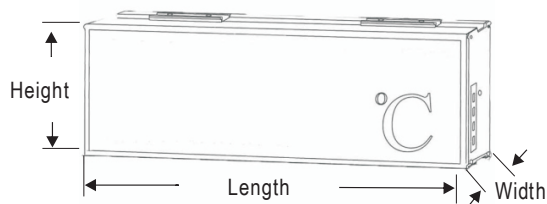
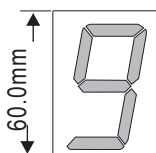
DBMA - [Code 1] [Code 2] - [Code 3] [Code 4] - [Code 5] - [Code 6] - [Code 7]

Code1	LED Display	Code2	LED-Digits	Code3	LED Height	Code4	Input Type	Code5	Vol tage	Code5	Current	Code5	RTD(PT-100)	Code 6	Aux. Power
1S	1 Row Display	3	3 Digits	06	6 cm (2.3")	D	DC	V4	0-10V	A6	4-20mA	T0	-200 ~600°C	A	AC115/230V
2S	2 Rows Display	4	4 Digits	10	10 cm (4")	A	AC	V7	0-600V	A8	0-5A			C	DC 24V
3S	3 Rows Display					T	RTD(PT-100)	VO	Option	AO	Option				
4S	4 Rows Display					2	2.3Wire Potentiometer								
5S	5 Rows Display					4	4Wire Potentiometer								
1D	1 Row Dual Display					Y	RS-485								

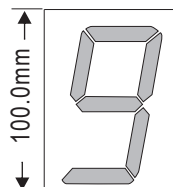
Code 7	Display 1 Alarm Output	Code 7	Display 2 Alarm Output	Code 7	Communication
N	None	N	None	Y	RS-485
R1	1 Relay	R1	1 Relay		
R2	2 Relays	R2	2 Relays		

LED SIZE DIMENSION

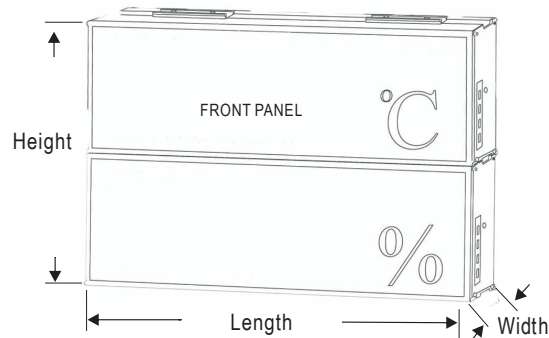
● LED Size: 6cm (2.3")



● LED Size: 10cm (4")

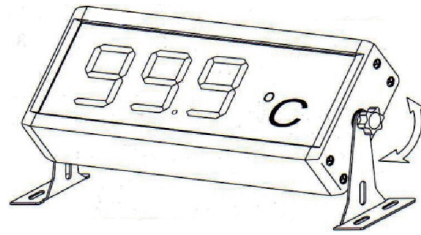
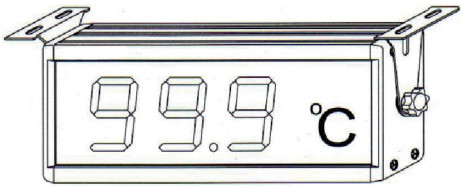
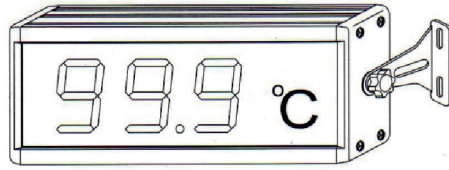
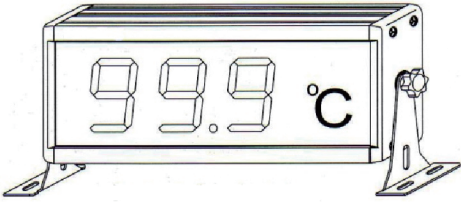


1 Row 3 Digits: 370mm(L) * 150mm(H) * 70mm(W)
1 Row 4 Digits: 460mm(L) * 150mm(H) * 70mm(W)



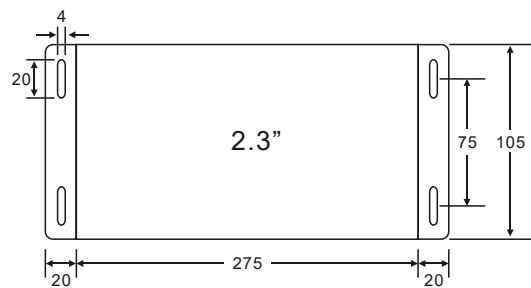
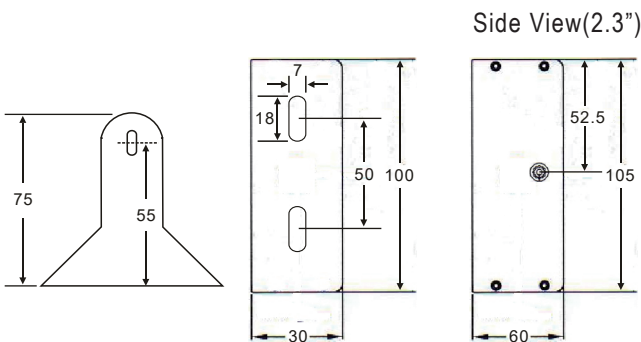
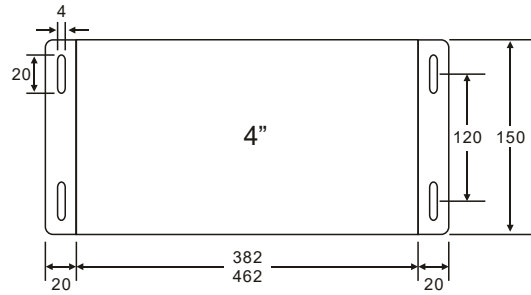
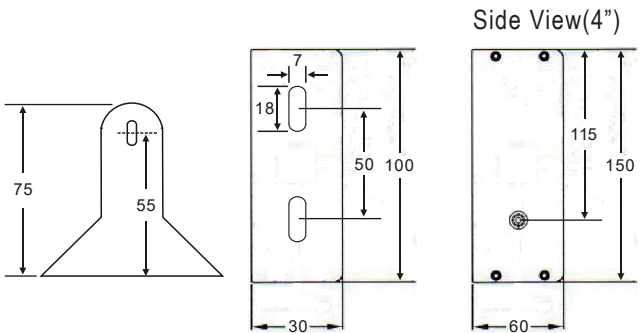
2 Rows 3 Digits: 370mm(L) * 300mm(H) * 70mm(W)
2 Rows 4 Digits: 460mm(L) * 300mm(H) * 70mm(W)

FIXING METHOD (Exposed Fixing Type)



TRIPOD DIMENSION (mm)

PANEL TYPE TRIPOD DIMENSION (mm)



Panel Cut-Out

- 4" (10cm) : 3 digits · 382mm (L) × 150mm (H) × 60mm (D)
4 digits · 462mm (L) × 150mm (H) × 60mm (D)
- 2.3" (5.8cm) : 3/4/5 digits · 275mm (L) × 120mm (H) × 60mm (D)