



- Application: engineering project, swimming pool, hot spring, greenhouse, field work.
- Input signal: K type / PT type / 4-20mA.
- LED size: 4 inches.

SPECIFICATION

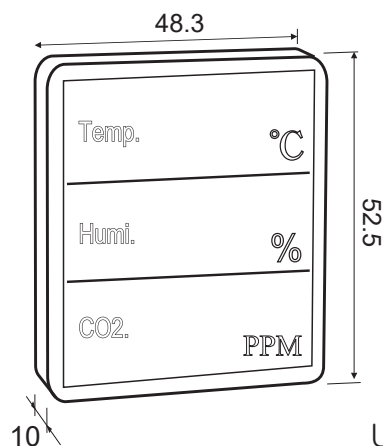
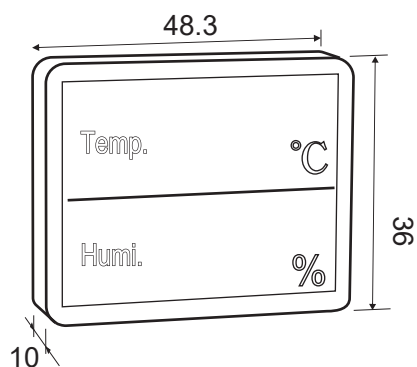
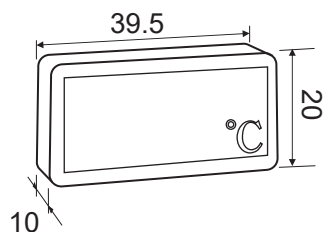
- ◆ Dimension: 2S: 48.3x36x10cm
3S: 48.3x52.5x10cm
- ◆ LED size: 4"(Height 10cm)
- ◆ LED color: Red
- ◆ Input Signal: 4-20mA / PT100 / K / 0-10V / RS485
- ◆ Power supply: AC85~265V
- ◆ Material: Special aluminum frame
- ◆ Function: 1 Relay (8 types)
Retransmission function
(synchronization function)
RS485 communication function

ORDER INFORMATION

TBMA - Code1 Code2 Code3 - Code4 - Code5 - Code6

Code1	LED Display	Code3	LED Height	Code4	Input Type	Code5	Aux.Power
1S	1 Row Display	06	6 cm(2.3")	DA6	DC 4~20mA	A	AC 115/230V
2S	2 Rows Display	10	10 cm(4")	DV4	DC 0~10V		
1D	1 Row Dual Display			TTO	RTD(PT-100) -200~600°C	Code6	Display 1 Alarm Output
						N	None
				2A6	2,3Wire 4~20mA	R1	1 Relay
3	3 Digits			S	Build-in TH/HU Sensor	R2	2 Relays
						Code6	Display 2 Alarm Output
						N	None
						R1	1 Relay
						R2	2 Relays

DIMENSION



Unit: CM