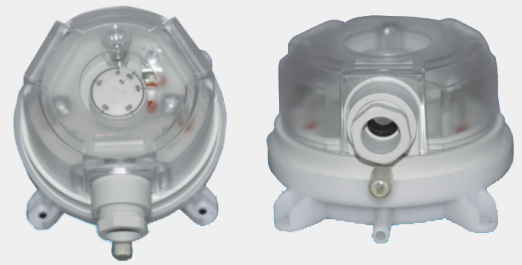


- Adjustable range: 20~5000pa, 5 ranges selectable.
- Pressure Limit: 7500PA.
- Working Temperature: -20°C~+85°C.

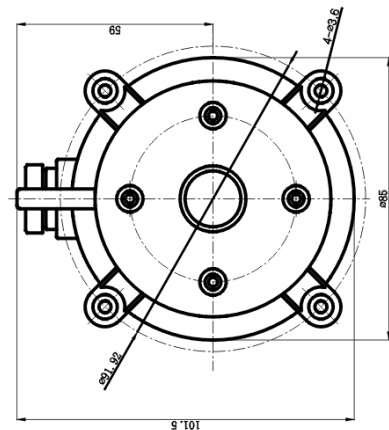
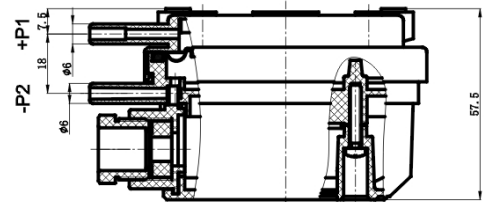


**WIRING CONNECTION**

DJ-518- Code1

Code1	Adjustable Range
300	20~300pa
500	30~500pa
1000	100~1000pa
2500	500~2500pa
5000	1000~5000pa

**DIMENSION**



**SPECIFICATION**

- ◆ Adjustable range: 20~5000Pa 5 ranges selectable, different engineering units available, see order information
- ◆ Pressure limit: 7500Pa
- ◆ Working temperature limit: -20°C~ 85°C
- ◆ Storage temperature limit: -40°C~85°C
- ◆ Pressure connection: 6.0mm plastic pipe, P1 high and P2 low pressure
- ◆ Service life: Over 10<sup>6</sup> switching cycles
- ◆ Electric Contact: SPDT, max 2A/250VAC, max frequency 6switching cycles/min
- ◆ Electrical connection: 3 screw terminals
- ◆ Repeatability: ±2%
- ◆ Materials: Housing PC, cover PC, diaphragm silicone and contact silver
- ◆ Weight: 140g with bracket, 90g without bracket
- ◆ Protection: IP54 with cover

**INSTALLATION**

Installation: vertical, pressure ports P1 and P2 downward. This is the factory-calibrated position. If horizontally installation needed, the switching value should plus about 20PA (cover upward) and minus about 10PA (cover downward). See operation manual. Accessory: the pressure connection set includes plastic pipe 2m, 2 pressure connection parts and 4 screws.

