

- High-quality aluminum alloy material ( $\leq 500\text{kg}$ ),
- Easy to install.
- High accuracy.
- High stability.
- Suitable for material experimentation, etc...

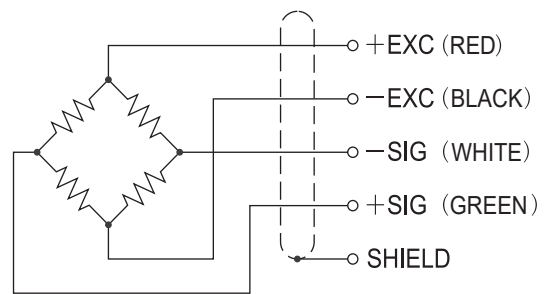


**ORDER INFORMATION**

LRS- Code1

Code1	Range		
005	5kg	100	100kg
010	10kg	200	200kg
020	20kg	500	500kg
050	50kg		

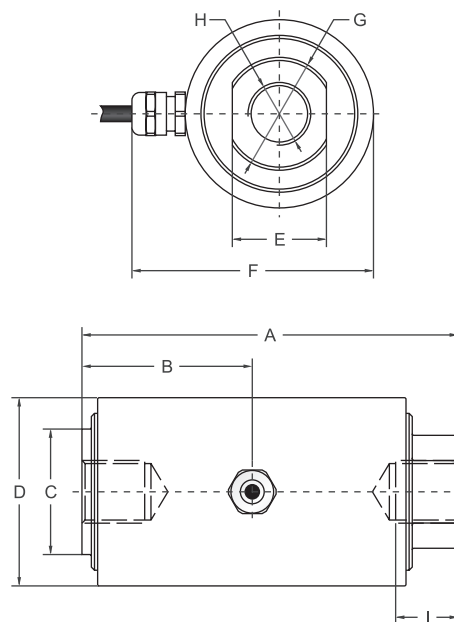
**WIRING CONNECTION**



**SPECIFICATION**

- ◆ Output Signal: 2.0mV/V  $\pm 2.5\%$
- ◆ Zero Load of Balance:  $\pm 3\%$ ( $\leq 100\text{kg}$ ) /  $1\%$ (200kg-5t) of rated output
- ◆ Creep:  $\pm 0.03\%$  of rated output
- ◆ Non-Linear:  $\pm 0.03\%$  of rated output
- ◆ Hysteresis:  $\pm 0.03\%$  of rated output
- ◆ Repeatability:  $\pm 0.03\%$  of rated output
- ◆ Thermal of Sensitivity:  $\leq 0.002\%$  of applied output / $^{\circ}\text{C}$
- ◆ Thermal of Zero:  $\leq 0.002\%$  of rated output/ $^{\circ}\text{C}$
- ◆ Operating Temperature:  $-10^{\circ}\text{C}$  to  $+70^{\circ}\text{C}$
- ◆ Temp. Compensation:  $-10^{\circ}\text{C}$  to  $+40^{\circ}\text{C}$
- ◆ Applicable Load: 150%
- ◆ Input Resistance: 387 ohm  $\pm 50$  ohm
- ◆ Output Resistance: 350 ohm  $\pm 5$  ohm
- ◆ Insulation Resistance:  $\geq 5000$  M ohm(50V DC)
- ◆ Recommended voltage: 10V DC/AC
- ◆ Maximum voltage: 15V DC/AC
- ◆ Wire Length: 2.75m
- ◆ Wire Color: Red(+E) Black(-E) Green(+S) White(-S)

**DIMENSION**



Capacity		A	B	C	D	E	F	G	H	I
5kg ~ 500kg	mm	80	39	Ø40	Ø60	17	77	Ø20	2×M10×1.5	12