

- Switching AC 100~240V, 50 / 60 Hz (AD1072)
- AC 110 / 220V ±15 % selectable (AD1100)
- 72 Watt / 100 Watt, single output
- Overload protection
- Over-voltage protection
- Short circuit protection
- DIN rail / Wall bracket mounting



SPECIFICATION

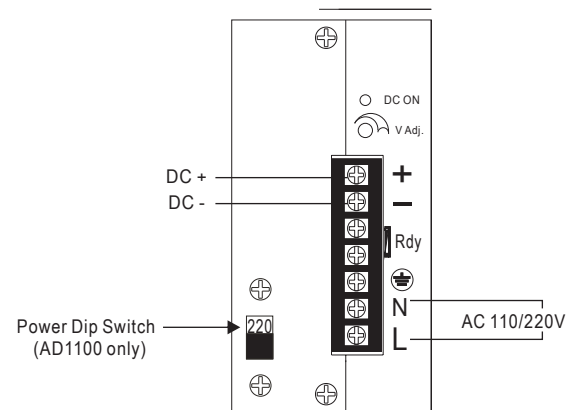
- ◆ Input Voltage: AC 100~240V (AD1072)
AC 110 / 220V ±15% (AD1100)
- ◆ Input Frequency: 47~63 Hz
- ◆ Inrush Current: 22A / 110Vac; 44A / 220Vac
- ◆ Output Voltage: 12 Vdc ±10%
24 Vdc ±10%
48 Vdc ±10%
- ◆ Output Watt: 72 / 100 Watt
- ◆ Loading Current (72 Watt): 12 Vdc / 6A
24 Vdc / 3A
48 Vdc / 1.5A
- ◆ Loading Current (100 Watt): 12 Vdc / 8.3A
24 Vdc / 4.2A
48 Vdc / 2.1A
- ◆ Ripple Noise: 12 Vdc / 100 mVp-p
24 Vdc / 150 mVp-p
48 Vdc / 250 mVp-p
- ◆ Vibration: 10 Hz ~ 2 KHz, 3 axise
- ◆ Temperature Coefficient: 100ppm / °C (0~60°C)
- ◆ Operating Temperature: -20~50 °C
- ◆ Operating Humidity: <95% RH (non-condensing)
- ◆ Storage Temperature: -40~70 °C
- ◆ Storage Humidity: <95% RH (non-condensing)
- ◆ Power Supply: AC 100~240V
- ◆ Installation: DIN rail 35mm

ORDER INFORMATION

AD1 [Code 1] - [Code 2]

Code 1	Output Watt	Code 2	Output Voltage
072	72 Watt	12F	DC 12V
100	100 Watt	24F	DC 24V
		48F	DC 48V

WIRING CONNECTION



DIMENSION

