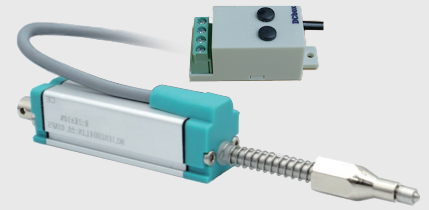


- Accuracy: 0.25% F.S.
- Power supply: DC 10~30V
- Small size, 51.5 x 22.2 x 19.3mm, easily installation
- High stability, high safety



## SPECIFICATION

- ◆ Accuracy: 0.25% F.S.(23±5°C)
- ◆ Input Impedence: <math>< 0.25VA</math>
- ◆ Max. Overload: Related input:3x rated continuous  
10x rated 30sec;25x rated 3sec;50rate 1sec
- ◆ Power Supply: DC10~30V(Output DC1~5V/4~20mA)  
DC14~30V(Output DC0~10V)
- ◆ Output Capability: >1KΩ (Voltage output)  
<math>< [(Vs-8V)/0.02A]Ω</math> (Current output)
- ◆ O/P Response Time: AC (250ms)  
Potentiometer (50ms)  
Load Cell (1ms/10ms/100ms)
- ◆ Output Ripple: <math>< 0.1\%</math> F.S.
- ◆ Zero Adjustment: 0~±20%F.S.
- ◆ Span Adjustment: 0~±20%F.S.
- ◆ Temp. Coefficient: 100ppm/°C (0~60°C)
- ◆ Insulation Resis.: >100MΩ with 500Vdc
- ◆ Surge Test: 2KVac/1min. (input/case)
- ◆ RFI Protection: 2W-150MHz at 2 meter causes less than 0.5% change in output.
- ◆ Operating Temp.: 0~60°C (20 to 90% RH non-condensed)
- ◆ Storage Temp.: 0~70°C (20 to 90% RH non-condensed)
- ◆ Wiring Cable: #14~#26AWG(0.2~2.0mm)
- ◆ Housing Material: PC+ABS

## ORDER INFORMATION

SW - Code1 Code2 Code3 Code4

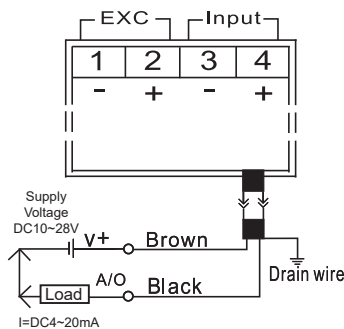
Code1	Current (A)	Potentiometer	Load Cell Input & Output Response Time
A1	0~1Aac	K1 5-95%	L11 1mv/V, 1ms
A5	0~5Aac	K2 10-90%	L12 1mv/V, 10ms
		K3 0-100%	L13 1mv/V, 100ms
		K9 Option	L9 Option
			*Excitation power: DC 5V
			L21 2mv/V, 1ms
			L22 2mv/V, 10ms
			L23 2mv/V, 100ms
			L31 3mv/V, 1ms
			L32 3mv/V, 10ms
			L33 3mv/V, 100m

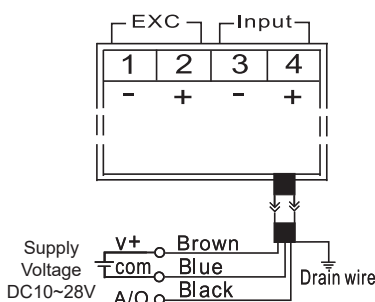
Code2	Analog Output	Code3	Wire Length	Code4	Waterproof Case
C	DC1~5V	2	2M(standard)	Y	Yes
D	DC0~10V	9	Option	N	No
I	DC4~20mA		• 3cond+shield,		
R	Option		#28AWG, PVC		

## WIRING CONNECTION

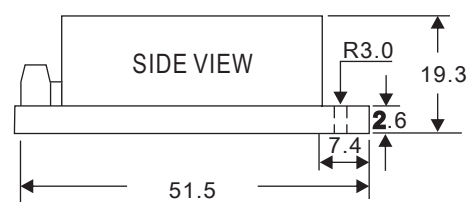
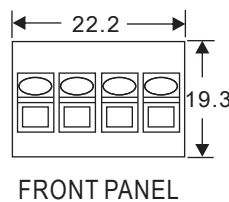
### • Two-wire system



### • Three-wire system



## DIMENSION



## WATERPROOF CASE (IP68)

