

Linearised temperature measurement with Pt100 sensor.
To avoid temperature signal attenuation during long-distance transmission, it converts Pt100 into standard analog current output DC 4~20mA (2 wire).
In this way, a stable and accurate figure can be collected and shown on the display of terminal instrument. The instrument includes PLC, digital display, industrial computer, etc.

- High quality, good anti-interference, high cost performance.
- Large round head installation.
- -50~400°C or special range.
- Output: 4~20 mA.
- ZERO / SPAN adjustable.
- Polarity protection ; Over-voltage ; Short-circuit.



SPECIFICATION

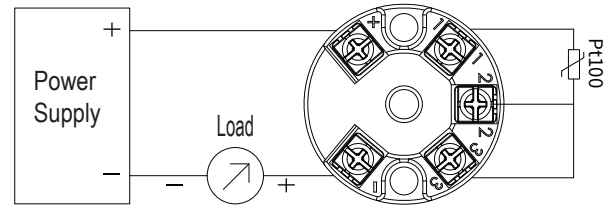
◆ Input signal	RTD Pt100 Ω(3-wire)	◆ Temperature drift	<±0.015%F.S. / °C
◆ Cable resistance	≤ 50 Ω (3 wires with the same resistance)	◆ Calibration temperature	20~28°C
◆ PT100Ω sensor current	<0.8 mA	◆ Response time	<250 ms
◆ ZERO adjustment range	±10%	◆ Medium	Air
◆ SPAN adjustment range	±10%	◆ Operating Temp.	-20~60°C
◆ Signal	DC 4~20 mA(2-wire)	◆ Operating Humid.	0~95%RH(Non-condensing)
◆ Load resistance	≤(Supply voltage - 8 V) / 0.02 A Ω	◆ Power supply	DC 10 ~30 V
◆ Load resistance stability	±0.05% / 100 Ω	◆ IP rating	Housing : IP30 / Terminal : IP10
◆ Pt100Ω signal disconnection protection & output	>23 mA	◆ Housing	ABS(UL94V-0)
◆ Accuracy	±0.1% of F.S.	◆ Weight	40g

ORDER INFORMATION

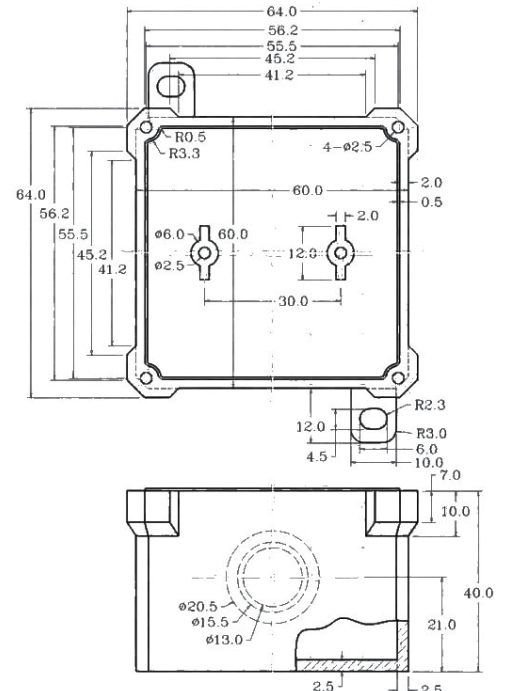
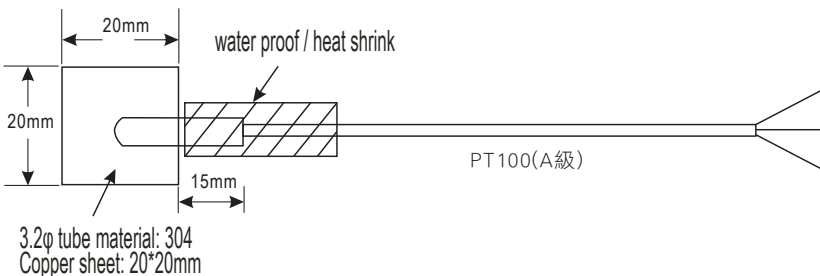
BGP02-3 [Code1] - [Code2]

Code1	Temp. range	Code1	Temp. range	Code2	Water-proof case
1	-50~+50°C	5	0~150°C	Y	YES
2	-50~0°C	6	0~200°C	N	NO
3	0~50°C	7	0~300°C		
4	0~100°C	8	0~400°C		
		0	Special span(MOQ:10PCS)		

WIRING CONNECTION



DIMENSION



Wire type temperature sensor for solar power



Water-proof case (IP68, PC)