

| Model         | Description  | Figure |
|---------------|--|--------|
| S0 (Standard) | ABS material<br>Suitable for indoor and outdoor environment.   |        |
| S1 (Option)   | All plastic material, dustproof, waterproof and anti-condensation. Suitable for high humidity environment and outdoor environment (Heavy rain and fog work normally) |        |
| S2 (Option)   | Highly sensitive, dustproof, suitable for High dust environment and rapid reaction area.   |        |
| S3 (Option)   | IP67 dustproof, waterproof and anti-condensation, suitable for harsh environment.  |        |

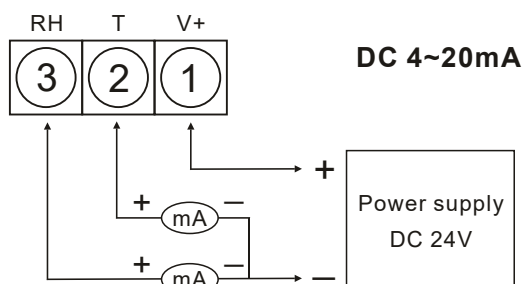
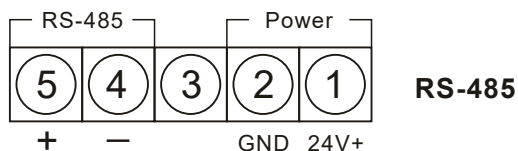
## TRANSMITTER SPECIFICATION

- ◆ Temperature Range : 0~50°C, 0~100°C, -50~+50°C
- ◆ Free Range : Low value(4mA) -40~+20.0°C free setting  
High value(20mA) +20~80.0°C free setting  
°C value and°F value can use jump change
- ◆ Humidity Range : 0~100%RH
- ◆ Power Supply : DC 24V±20%
- ◆ Humidity Accuracy : ±3% (Option : ±2%)
- ◆ Temp. Accuracy : ±0.4°C (Option : ±0.2°C)
- ◆ Protection : IP45 (Waterproof and dustproof)
- ◆ Operating Temp. : -20~+80°C / below 90%RH.
- ◆ Storage Temp. : -40~+80°C / below 90%RH.
- ◆ Response time : >1 sec.
- ◆ Output : 4~20mA, 2-wire loop powered  
RS-485
- ◆ Load Resistance : ≤500Ω (4~20mA)

## SENSOR SPECIFICATION

- ◆ Range : -20~+80°C, 0~100%RH
- ◆ Fully calibrated, digital output
- ◆ Excellent long-term stability
- ◆ No external components required
- ◆ Ultra low power consumption
- ◆ Surface mountable or 4-pin fully interchangeable
- ◆ Small size
- ◆ Automatic power down

## WIRING CONNECTION



## ORDER INFORMATION

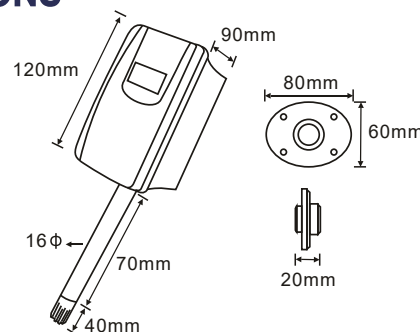
DCTH - Code1 - Code2 - Code3 - Code4 - Code5

| Code1 | Installation Type | Code2 | Output   | Code3 | Display Screen |
|-------|-------------------|-------|----------|-------|----------------|
| D     | Tube              | A     | 4-20mAdc | N     | No             |
| S     | Separate          | Y     | RS-485   | D     | Yes            |
| O     | Outdoor           |       |          |       |                |

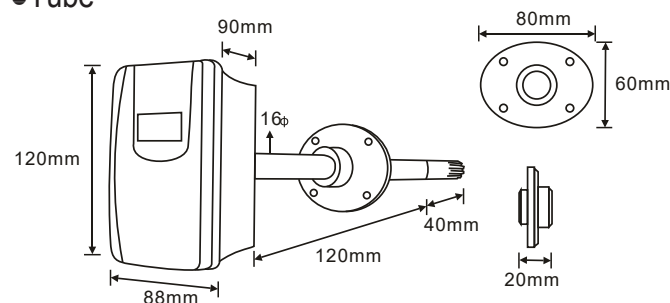
| Code4 | Sensor Type                  | Code5 | Accuracy              |
|-------|------------------------------|-------|-----------------------|
| S0    | ABS(Standard)                | 1     | ±0.4°C, 3% (Standard) |
| S1    | All plastic (Waterproof)     | H     | ±0.2°C, 1.8%RH.       |
| S2    | Dustproof                    |       |                       |
| S3    | IP67(Anti-harsh environment) |       |                       |

## DIMENSIONS

### Outdoor



### Tube



### Separate

