

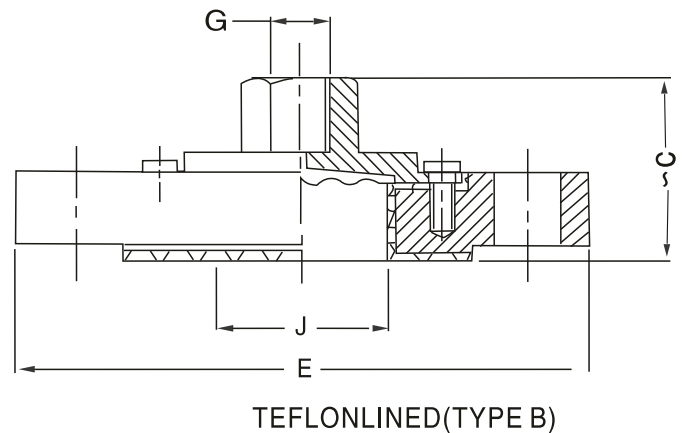
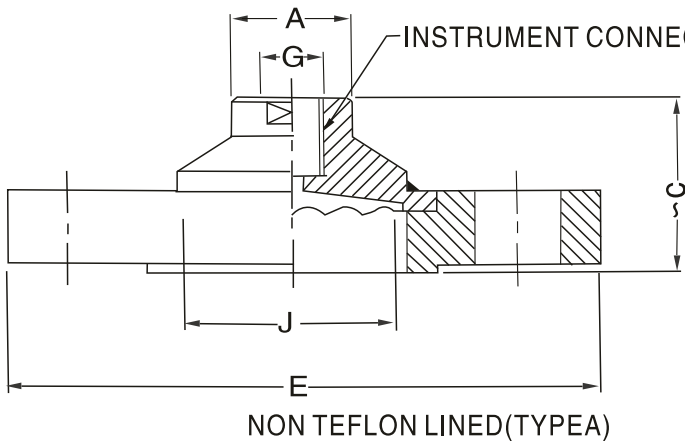
- Welded diaphragm.
- Wide range of diaphragm material.
- Most suitable for slurry & corrosive service.
- Diaphragm seals are provided in the instrument like pressure gauges, switches, transmitter in order to isolate the sensing element from the main service due to its corrosive, viscous and sedimented nature and to avoid clogging and solidification.



**SPECIFICATION**

- ◆Range: -1kg/cm<sup>2</sup>~21kg/cm<sup>2</sup>.
- ◆Process Temp.: -40°C~200°C or per fill fluid.
- ◆Instrument Connection: 3/8" BSP(F).
- ◆Process Connection: Flange (as per DIN/ BS/ ANSI/ JIS)  
Finish 125~250AARN  
32NB (1 1/4") to 80NB (3") (as required).
- ◆Diaphragm : AISI316L SS.
- ◆Body: AISI316 SS.
- ◆Fill Fluid: Silicon Oil-DC200.

**DIMENSION**



A	~C	E	G	J
30	44.5	**	3/8" BSP(M)	***

\*\*as per standard flange table ANSI, DIN, BS JIS Etc.,  
\*\*\*DIAPHRAGM DIA. TO SUIT FLANGE

**Note:** ● Due to continuous improvement, the specification may vary from time to time.

# OEDER INFORMATION

## BASIC MODEL

### OPTIONS

FOR NON STANDARD PRODUCTS/OPTIONAL ITEMS, PLEASE CONTACT FACTORY FOR DELIVERY AND MINIMUM QUANTITY OF ORDER.

### FLANGE

**L1** AISI 316L SS      **L4** CARBON STEEL  
**L2** AISI 316 SS

### DIAPHRAGM

**M1** AISI 316L SS      **M2** NICKEL      **M3** TITANIUM  
**M4** HASTELLOY'C'      **M5** SILVER      **M6** PTFE(FOR TYPE A ONLY)  
**M6** MONEL      **M7** TANTALUM

### INSTRUMENT CONNECTION

**Q1** 1/2"BSP(F)      **Q5** 3/8"NPT(F)  
**Q2** 1/4"BSP(F)      **Q4** 1/2"NPT(F)  
**Q6** 3/8NPT(F)      **Q3** 1/4"NPT(F)

### PROCESS CONNECTION

AS PER DIN/BS/ANS/JIS ETC.STANDARD  
32NB(11/4")to 80NB(3")(As required)

### FLUSHING RING

**S1** FLUSHING RING WITH 1/2"NPT PLUG(AISI 304 SS)      **S2** FLUSHING RING WITH 1/4"NPT PLUG(AISI 304 SS)  
**S3** FLUSHING RING WITH 1/2"NPT PLUG(AISI 316 SS)      **S4** FLUSHING RING WITH 1/4"NPT PLUG(AISI 316 SS)Std.

### FILLING FLUIDS

**T1** FLUROLUBE 4.2[-45 TO 175°C/-49 TO374 ° F]      **T2** SILICON DC 704 [0 TO 205°C/-32 TO401 ° F]  
**T3** FLUROLUBE 6.3[-40 TO 235°C/-40 TO455 ° F]      **T4** SILICON DC 710 [5TO 345°C/-41 TO653 ° F]  
**T5** FLUROLUBE FS5[-40 TO 150°C/-40 TO302 ° F]      **T6** SYLTHERM 800 [-45 TO205°C/-49 TO401° F]  
**T7** FOOD GRADE OIL[-20 TO 140°C/-4 TO284 ° F]      **T8** SYLTHERM XLT [-75 TO150°C/-102TO302° F]  
**T9** SILICON DC200-10CS[-40 TO 205°C/-40 TO401 ° F]      **T10** HALOCARBON OIL

### PROTECTION ON WETTED PARTS

**U1** PTFE LINING ON FLANGE-2mm THICK      **U3** PTFE PROTECTION FOR DIAPHRAGM

### DIAPHRAGM MATERIAL

**AD1** AISI 304      **AD6** MONEL      **AD7** HASTELLOYC      **AD2** CARBON STEEL  
**AD5** AISI 316L SS      **AD3** TITANIUM      **AD4** AISI 316 SS

### TYPE

**G1** WITHOUT CAPILLARY      **G2** WITH CAPILLARY

### CAPILLARY

**H1** AISI 304 SS      **H2** AISI 316 SS

### CAPILLARY COVERED WITH ARMOUR

**I1** AISI 304 SS      **I2** AISI 316 SS      **I3** PVC

### CAPILLARY LENGTH(Max up to 6Mtrs.)

IN METERS (e.g.1.5= 1.5METERS 2.0=2METERS)

### OTHER ORTIONS

**K3** HELIUM LEAK TEST      **K4** DRY SEAL ONLY WITHOUT INSTRUMENT

### Ordering Example:

**BBX-L1-M1-Q1-B27-S1-T1-U1-AD1-G1-H1-I1-3Mtr.-K3**

Note: · Due to continuous improvement, the specification may vary from time to time.

BBX

L1

M1

Q1

B27

S1

T1

U1

AD1

G1

H1

I1

3Mtr.

K3