

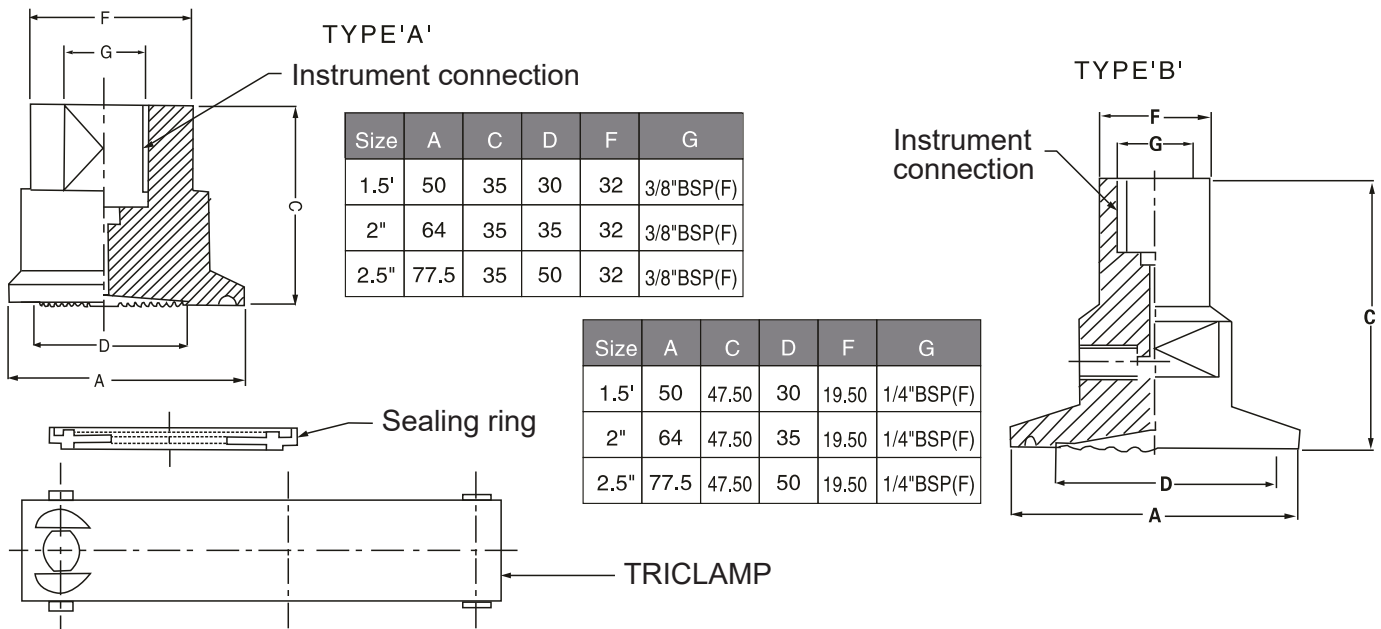
- Quick connect and disconnect.
- Forhygiene applications.
- Easy to clean.
- Diaphragm seals are provided in the instrument like pressure gauges, switches, transmitter in order to isolate the sensing element from the main service due to its corrosive, viscous and sedimented nature and to avoid clogging and solidification.



**SPECIFICATION**

- ◆Range:  $-1\text{kg/cm}^2 \sim 21\text{kg/cm}^2$ .
- ◆Process Temp.:  $-20^\circ\text{C} \sim 140^\circ\text{C}$  or per fill fluid.
- ◆Instrument Connection: 3/8" BSP(F).
- ◆Process Connection: 1 1/2" sanitary seal (without clamp & gasket)
- ◆Diaphragm : AISI316L SS.
- ◆Body: AISI316 SS.
- ◆Fill Fluid: Food grade Oil.

**DIMENSION**



## OEDER INFORMATION

### BASIC MODEL

### OPTIONS

### TYPE

**AB1** TYPEA

**AB2** TYPEB

FOR NON STANDARD PRODUCTS/OPTIONAL ITEMS, PLEASE CONTACT FACTORY FOR DELIVERY AND MINIMUM QUANTITY OF ORDER.

### INSTRUMENT CONNECTION

**Q6** 3/8"BSP(F)

**Q4** 1/2"BSP(F)

**Q1** 1/2"NPT(F)

**Q3** 1/4"BSP(F)

**Q5** 3/8"NPT(F)

**Q2** 1/4"NPT(F)

### DIAPHRAGM

**T8** AISI 316L SS

### PROCESS CONNECTION

**Q23** 1 1/2" SANITARY SEAL IN AISI 316 SS

**Q24** 2" ANITARY SEAL IN AISI 316 SS

**Q25** 1/2" SANITARY SEAL IN AISI 316 SS

### CLAMP

**Z1** 1 1/2" CLAMP AISI 304 SS

**Z2** 2" CLAMP AISI 304 SS

**Z3** 2 1/2" CLAMP AISI 304 SS

\*Note: Above does not include bottom mating part. If requirde, please refer factory.

### MATING PARTS

**AA1** 1 1/2" SANITARY SEAL IN AISI 316 SS

**AA2** 2" SANITARY SEAL IN AISI 316 SS

**AA3** 2 1/2" SANITARY SEAL IN AISI 316 SS

### TYPE

**G1** WITHOUT CAPELLARY

**G2** WITH CAPELLARY

**G3** WITHOUT NECK TYPE

**G4** NECK TYPE

### CAPELLARY

**H1** AISI 304 SS

**H2** AISI 316 SS

### CAPELLARY COVERED WITH ARMOUR

**I1** AISI 304 SS

**I2** AISI 316 SS

**I3** PVC

### CAPELLARY LENGTY(Max up to 2Mtrs.)

IN METERS(e.g.1.5)= 1.5METERS 2.0=2METERS)

### OTHER OPTIONS

**K3** HELIUM LEAK TEST

**K4** DRY SEAL ONLY WITHOUT INSTRUMENT

### Ordering Example:

**BBU-AB1-Q6-T8-O23-Z1-AA1-G1-H1-I1-1Mtr.-K3**

Note: ● Due to continuous improvement, the specification

BBU

AB1

Q6

T8

O23

Z1

AA1

G1

H1

I1

1Mtr.

K3