

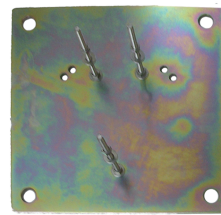
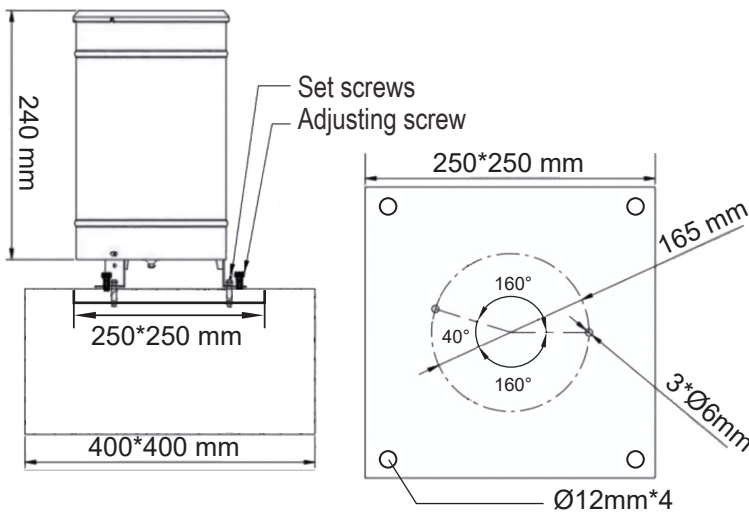
- Collection capacity: 214cm<sup>2</sup>
- Dry contact point ON/OFF signal output.
- Anti UV ABS material.
- Attach a level gauge to make it level during installation.
- Optional RG-BASE metal base for easy installation.



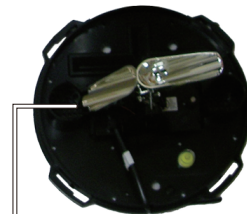
**SPECIFICATION**

- ◆ Sensing principle: magnetic reed switch signal.
- ◆ Sensitivity: 0.2mm/tip.
- ◆ Signal output: dry contact. ON/OFF signal
- ◆ Material: UV-resistant UV. ABS
- ◆ Size: 165mm (diameter) \*240mm (height)
- ◆ Collection: 214cm<sup>2</sup>
- ◆ Rainfall accuracy: Rainfall rate 250mm/ hr: ±3%.  
A scoop: 0.2mm or 0.01 "mm.
- ◆ Wire length: 10M

**DIMENSION**

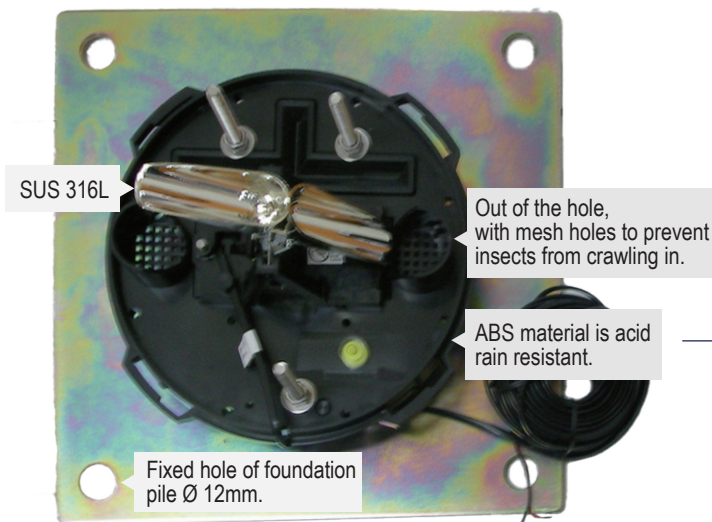


RG-Base Mounting base

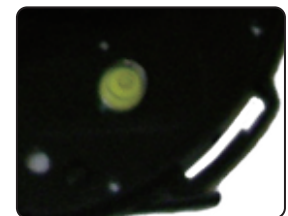


0.2mm Standard Rainfall Containers

**INSTALLATION**



Just adjust the level to the center position, and there is no need to adjust the inclination angle on site.



With 10m signal cable, optional waterproof connector in the middle. Extend the length of signal cable

**ORDER INFORMATION**

RG-6464- Code1

Code1	Resolution rate
02	0.2mm
001	0.01mm