

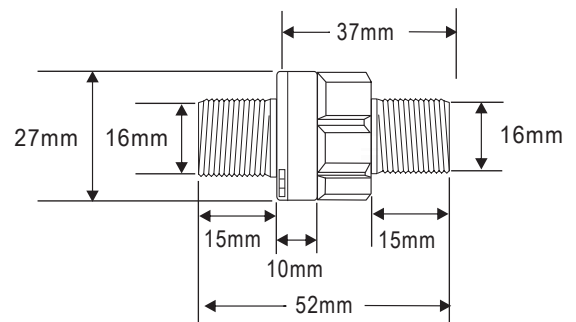
- Accuracy: +/-1% ; Repeatability: 0.3%, measuring range: (0.5~20 l/min)
- Thread connection, infrared sensing type, easily installation
- Viscosity range: 1~1000 Cst
- High chemical resistance; high pressure environment specs optional
- Suit for beverage industry, semi-conductor, chemistry, pharmacy application
- K Factor: 5600 pulse/Liter



SPECIFICATION

- ◆ Accuracy: ± 1.00%
- ◆ Repeatability: ± 0.30%
- ◆ Measuring Range: 0.5~20 l/min
- ◆ Operating Temp.: -20~90 °C
- ◆ Operating Pressure: 16 bar
- ◆ Burst Pressure: 40 bar
- ◆ Thread Connection: 3/8" BSP Male
- ◆ Power Supply: 5~24VDC, 12~24mA
- ◆ Body Material: PVDF, Vectra(rotor), Viton or EPDM
- ◆ Output Frequency: 100~2000Hz
- ◆ Output Signal: Approx 5600 pulse/litre
- ◆ Wire Length: 15cm (Custom design available)

DIMENSION



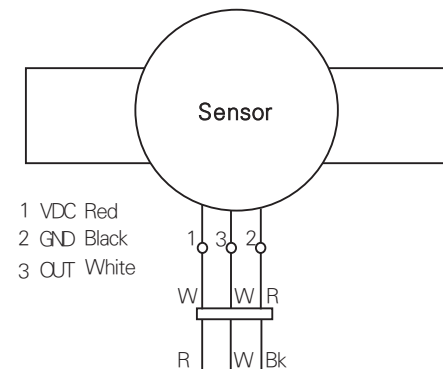
MATERIAL SPECIFICATION

Material	PVDF
Case	PVDF
Paddle Wheel	PVDF
Bearing	PVDF
O Ring	EPDM
Weight	50g
Connection	3/8" BPS Male

K FACTOR TABLE

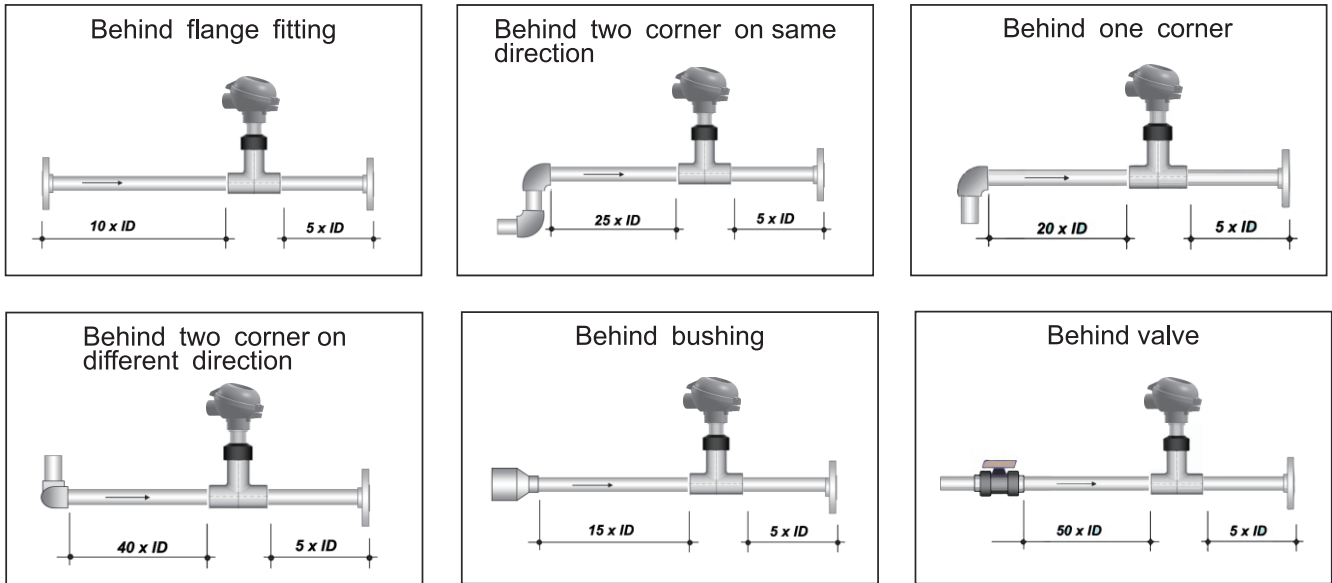
Flow range (L/min)	Pulse per Liter
0.5~20.0 L/min:	5600

WIRING CONNECTION



INSTALLING NOTE

■ Standard installation diagram according to EN ISO 5167-1 (ID is for inner diameter)



*If can not be suit this situation, please make the calibration of K factor.

■ Installation angle

-Installing in horizontal pipe system

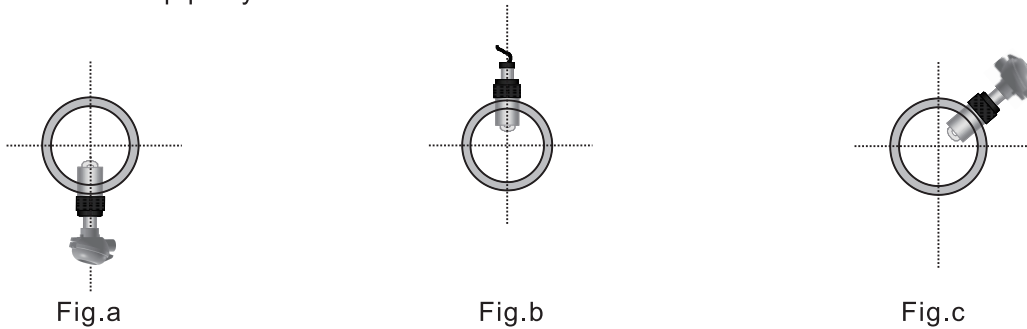


Fig.a: Installation for the pipe without sediment.

Fig.b: Installation for the pipe without bubble and must be full.

Fig.c: The best installation position can avoid the influences of sediment and bubble.

-Installing in vertical pipe system

It can be installed at any angle, the better installation flow direction is from bottom to top.

■ Installation Precautions

