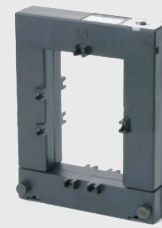


- B-series.(Barrier terminal strips)
- Split Core, easy installation(120mm).
- Primary Input 500A~3000A.
- Secondary output 5Aac.
- Safe operation.
- Please do not use while the circuit is open.
Be sure to connect the load device at first.



SPECIFICATION

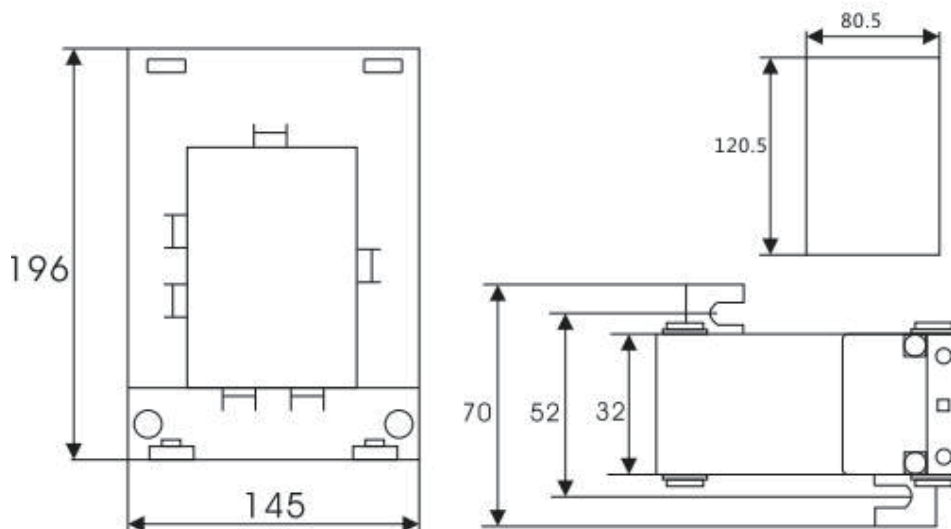
- ◆ Frequency: 50~60 Hz
- ◆ Rated Current: 500A to 3000A loads
- ◆ Rated Output: 5A (AC)
- ◆ Accuracy: Class 1.0: 500A, 600A, 800A, 1000A, 1200A, 1500A, 2000A, 2500A, 3000A
- ◆ Rated Load: 2.5VA: 500A. 600A. 800A / 3.75VA: 1000A / 5VA: 1200A
7.5VA: 1500A / 10VA: 2000A. 2500A. 3000A
- ◆ Insulation Voltage: 600 Vac
- ◆ Max. Primary Voltage: 5000 Vac (Insulated Conductor)
- ◆ Dielectric Strength: 3.0KV/ 50Hz/ 1min
- ◆ Operating Temp.: -30°C to 75°C
- ◆ Operating Humi.: <90%
- ◆ Case Material: PC/UL94~V0
- ◆ Bobbin: PBT
- ◆ Core: Pure copper
- ◆ Internal Structure: Epoxy
- ◆ Burden: 500/ 5A Ø120mm 1200/ 5A Ø120mm
600/ 5A Ø120mm 1500/ 5A Ø120mm
800/ 5A Ø120mm 2000/ 5A Ø120mm
1000/ 5A Ø120mm 2500/ 5A Ø120mm
3000/ 5A Ø120mm

ORDER INFORMATION

DCSCT-120B - Code1 - Code2

Code1	Input Signal	Code2	Output
500	500 Aac	5	5 Aac
600	600 Aac		
800	800 Aac		
1000	1000 Aac		
1200	1200 Aac		
1500	1500 Aac		
2000	2000 Aac		
2500	2500 Aac		
3000	3000 Aac		

DIMENSION



Unit: mm