

- T-series.(Wire length 1M)
- Split core, easy installation(24mm).
- Primary input 100A~400A.
- Secondary output 1Aac/ 5Aac.
- Safe operation.
- Please do not use while the circuit is open.
Be sure to connect the load device at first.

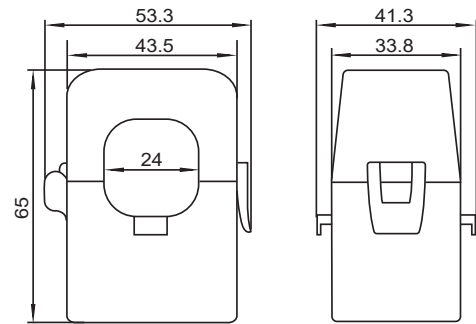


SPECIFICATION

- ◆ Frequency: 50~60 Hz
- ◆ Rated Current: 100A to 300A loads
- ◆ Rated Output: 1A/ 5A (AC)
- ◆ Accuracy: Class 0.5: 200A, 250A, 300A, 400A/ Class 1: 100A, 150A
- ◆ CosΦ: 1.0: 100A, 150A, 200A/ 0.8: 250A, 300A, 400A
- ◆ Insulation Voltage: 600 Vac
- ◆ Maximum Primary Voltage: 5000 Vac (Insulated Conductor)
- ◆ Dielectric Strength: 2.0KV/ 50Hz/ 1min
- ◆ Operating Temperature: -15°C to 60°C
- ◆ Operating Humidity: <85%
- ◆ Case Material: PC/UL94~V0
- ◆ Bobbin: PBT
- ◆ Core: Pure copper
- ◆ Internal Structure: Epoxy
- ◆ Burden:

100/ 1A	Ø24mm	100/ 5A	Ø24mm
150/ 1A	Ø24mm	150/ 5A	Ø24mm
200/ 1A	Ø24mm	200/ 5A	Ø24mm
250/ 1A	Ø24mm	250/ 5A	Ø24mm
300/ 1A	Ø24mm	300/ 5A	Ø24mm
400/ 1A	Ø24mm	400/ 5A	Ø24mm

DIMENSION



Unit: mm

ORDER INFORMATION

DCSCT-24T - Code1 - Code2 - Code3

Code1	Input Signal	Code2	Output	Code3	Wire Length
100	100 Aac	1	1 Aac	N	1 M
150	150 Aac	5	5 Aac	O	Option
200	200 Aac				
250	250 Aac				
300	300 Aac				
400	400 Aac				