

■ PT-100 class A

01C.D1797 P0K1.232.6W.A.008

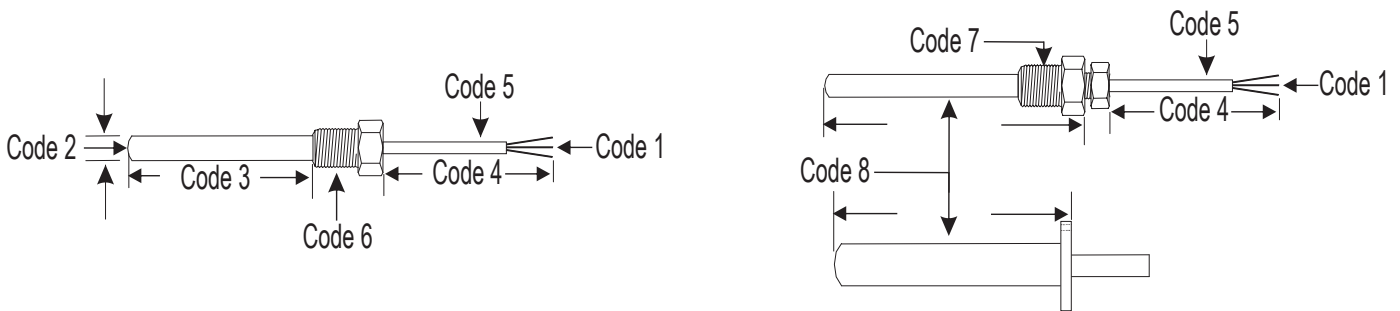
- ◆ Resistivity: 100Ω at 0 °C
- ◆ Tolerance: DIN EN 60751 F 0.15
- ◆ T.-Range: -200 °C-+600 °C
- ◆ Dimension: 2.3x2x1.3mm(LxWxH)
- ◆ Contacts: Pt/Ni-wire, Ø0.2mm, 3mm long

*RoHS compliant

■ K type class A

- ◆ Thickness: 0.25mm
- ◆ Thickness: 0.26mm
- ◆ Voltage Test: 100 Vx1min
- ◆ Room Temp: 26°C
- ◆ Humidity: 48%
- ◆ Insulation Resist: 20MΩ up

*RoHS compliant



ORDER INFORMATION

BTL - [Code 1] [Code 2] - [Code 3] - [Code 4] [Code 5] - [Code 6] [Code 7] [Code 8]

Code 1	Input Type	Code 2	Tube Diameter	Code 3	Tube Length	Code 4	Wiring Length	Code 5	Wiring Material	Code 6	Connection	Code 7	Inner Tube Diameter	Code 8	Thermo-Well
K	K Type	3	3.2 mm	03	30 mm	01	1 M	C	Glass Fiber	N	None	3	3.2 mm	N	None
J	J Type	4	4.8 mm	05	50 mm	02	2 M	D	Hot-Resistant	1	1/4" PT	4	4.8 mm	1	Overheat 50mm
E	E Type	5	5.0 mm	08	80 mm	03	3 M	F	Iron	2	3/8" PT	5	5.0 mm	2	Sliding Tube
T	T Type	6	6.3 mm	10	100 mm	10	10 M	P	PVC	3	1/2" PT	6	6.3 mm	3	Flange
R	R Type	9	9.5 mm	20	200 mm	20	20 M	T	TEFLON	4	3/4" PT	9	9.5 mm	4	Teflon Tube
S	S Type	A	12.3 mm	30	300 mm	30	30 M	O	Option	5	1" PT	A	12.3 mm	5	Magnetic Tube
B	B Type	O	Option	50	500 mm	40	40 M			A	1/4" NPT	O	Option	6	Titanium Tube
C	C Type			80	800 mm	A0	100 M			B	3/8" NPT			O	Option
P	RTD (PT-100)			A0	1000 mm	B0	200 M			C	1/2" NPT				
				B0	2000 mm	O	Option			D	3/4" NPT				
				O	Option					E	1" NPT				
										O	Option				