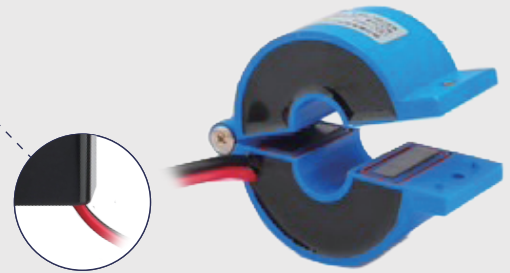


- T-series.(Wire length 1M)
- Split core, easy installation(18mm).
- Primary input 50A~150A.
- Secondary output 5Aac.
- Safe operation.
- Please do not use while the circuit is open.  
Be sure to connect the load device at first.



**SPECIFICATION**

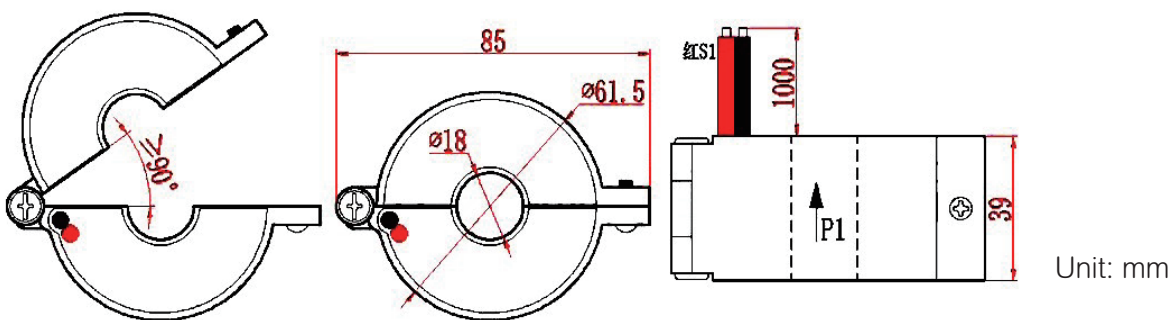
- ◆Insulation resistance :  $\geq 1000M\Omega$ (Normal)
- ◆Voltage level : 0.66/ 0.72KV
- ◆Compressive strength : 2KV/ 50Hz/ 1min
- ◆Frequency : 50/ 60Hz
- ◆Operating Temperatur :  $-40^{\circ}C \sim +85^{\circ}C$
- ◆Internal Structure : EPOXY
- ◆Rated Current : 50A to 150A loads
- ◆Rated Output : 5A (AC)
- ◆Accuracy : Class 0.5 from 20% to 120% of rated current
- ◆Operating Humidity : <85%
- ◆Phase angle : Less than 2 degrees at 50% of rated current
- ◆Burden : 50/ 5A  $\varnothing 18mm$  100/ 5A  $\varnothing 18mm$   
60/ 5A  $\varnothing 18mm$  150/ 5A  $\varnothing 18mm$   
75/ 5A  $\varnothing 18mm$

**ORDER INFORMATION**

DCSCT-18T - Code1 - Code2 - Code3

Code1	Input Signal	Code2	Output	Code3	Wire Length
50	50 Aac	5	5 Aac	N	1M
60	60 Aac				
75	75 Aac				
100	100 Aac				
150	150 Aac				

**DIMENSION**



S/N	Rated Input (AC)	Rated Output (AC)	Rated Load	Power Factor COS $\Phi$	Number of turns	Accuracy
1	50A	5A	0.1VA	1.0	1	0.5%
2	60A	5A	0.1VA	1.0	1	0.5%
3	75A	5A	0.1VA	1.0	1	0.5%
4	100A	5A	0.1VA	1.0	1	0.5%
5	150A	5A	0.1VA	1.0	1	0.5%

\*\*Please do not use while the circuit is open. Be sure to connect the load device at first.