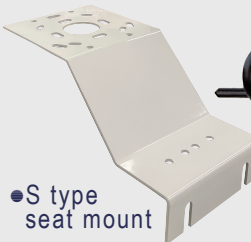


- Wind speed range: 0~30m/s, resolution 0.1m/s; wind direction range: 360 degree.
- High performance imported bearing, small rotation resistance, accurate measurement.
- All aluminum shell, high mechanical strength, high hardness, corrosion resistance, no rust, can be used outdoors for a long time.
- Data transmission rate: the original baud rate is 9600bps, can not be modified, if the user wants to use other baud rates, please inform advance when ordering Rate: 9600bps, 4800bps, 2400bps, 1200bps.
- Ingress Protection Rating: IP67 (waterproof)

● I type seat mount



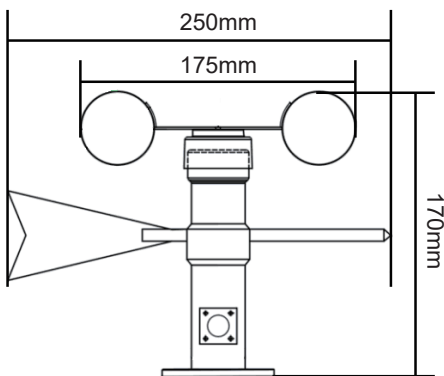
● S type seat mount



SPECIFICATION

- ◆ Power supply: 12~24VDC
- ◆ Maximum power consumption: ≤ 300mW
- ◆ Resolution: 0.1m/s
- ◆ Operating temperature: -20°C~+55°C, 35~85%RH (non-condensing)
- ◆ Measurement range: 0~30m/s, wind direction: 360 degree
- ◆ Start-up speed: ≥ 0.8m/s
- ◆ Dynamic influence time: ≤ 0.5s
- ◆ Output signal: RS485

DIMENSION

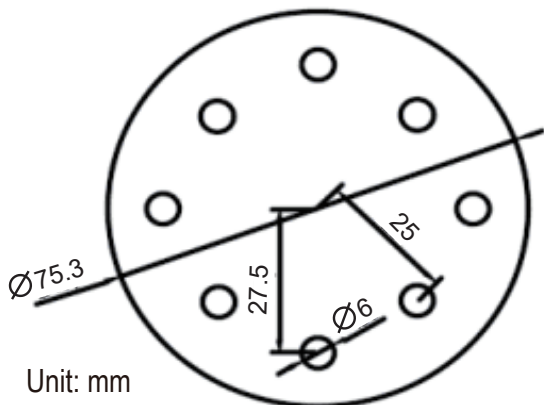


ORDER INFORMATION

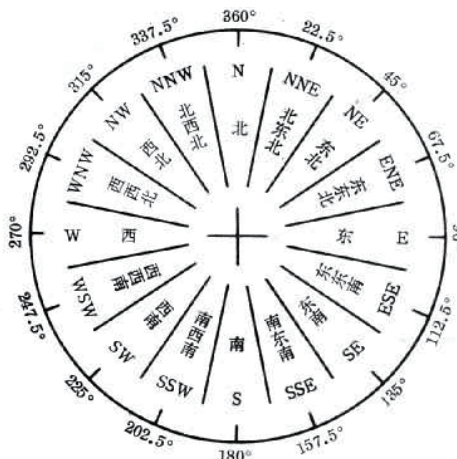
DCFD- Code1 - Code2

Code1	Wind Speed Signal	Code2	Wind Direction Signal
A	4~20mA	A	4~20mA
V	0~10V	V	0~10V
Y	RS-485	N	None
O	Option	O	Option

INSTALLATION DIMENSION



WIND DIRECTION 16 AZIMUTH MAP



WIRING CONNECTION

