

- Real time clock module.
- Display: 2.3 inches, 4.0 inches (Option).
- Display: Year, month, day, hour (24H), minute, second, cycle for 5 seconds.
- Accuracy: 9-13 seconds/ month.
- Fixation methods: hanging, wall mounting, and panel mounting.
- 1-2 alarms (Hi or low).
- High stability, flameproof material casing (PC), high safety.

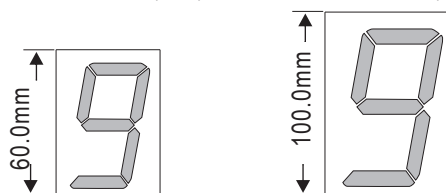


SPECIFICATION

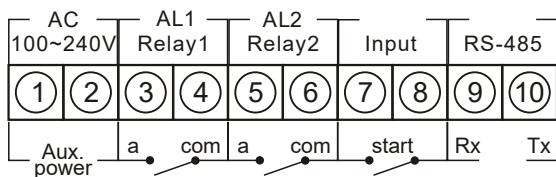
- ◆ Real time clock module
- ◆ Display: 2.3 inches, 4.0 inches
- ◆ Display: Hour(24H), minute
- ◆ Accuracy: 9~13 seconds/ month
- ◆ Option: Relay and RS-485
- ◆ Fixation method: hanging, wall mounting, panel mounting

DIMENSION

- LED Size: 6cm (2.3")
- LED Size: 10cm (4")



WIRING CONNECTION

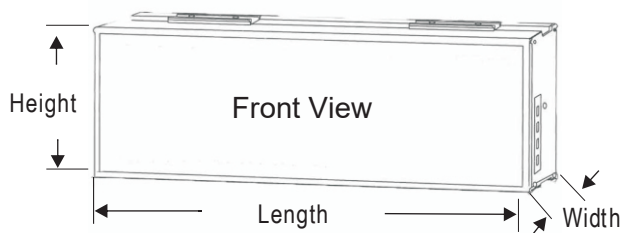


ORDER INFORMATION

DBMT - [Code1] [Code2] - [Code3] - [Code4] [Code5]

Code1 Display	Code2 LED Height	Code3 Power
1 Hour. Minute	06 6 cm	A AC 110/220V
2 Year. Month. Day	10 10 cm	D DC 24V
3 Hour. Minute. Second		
4 Unit		

Code4 Display 1 Alarm Output	Code5 Communication
N None	Y RS-485
R1 1 Relay	
R2 2 Relays	

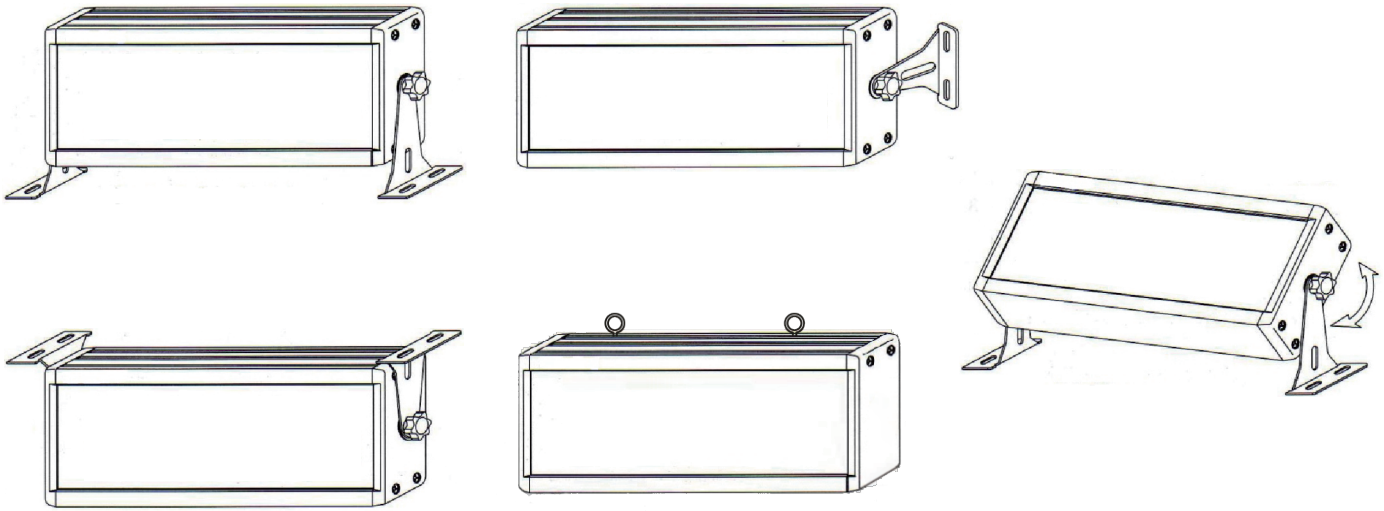


Model : DBMT-1
4 inches: 370(L)*150(H)*60(D)mm

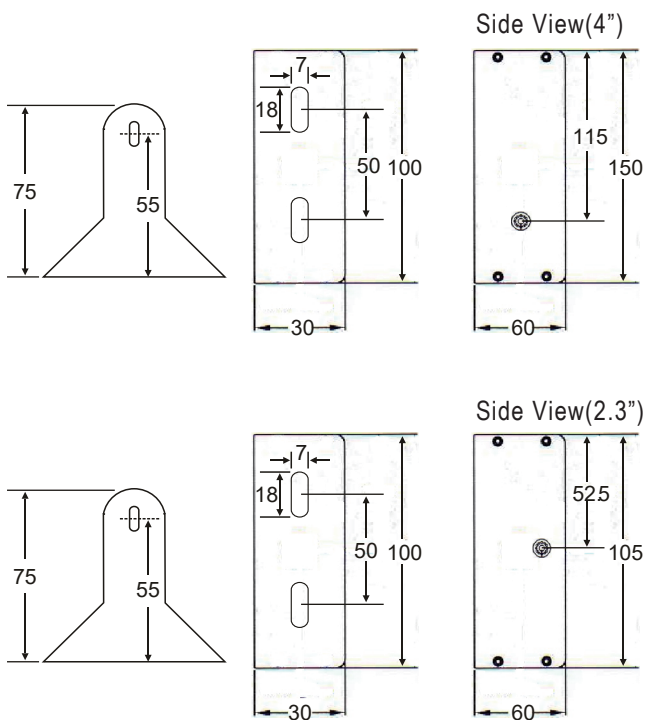
Model : DBMT-2
2.3 inches:550(L)*150(H)*60(D)mm

Model : DBMT-3
4 inches:830(L)*150(H)*60(D)mm
2.3 inches:460(L)*150(H)*60(D)mm

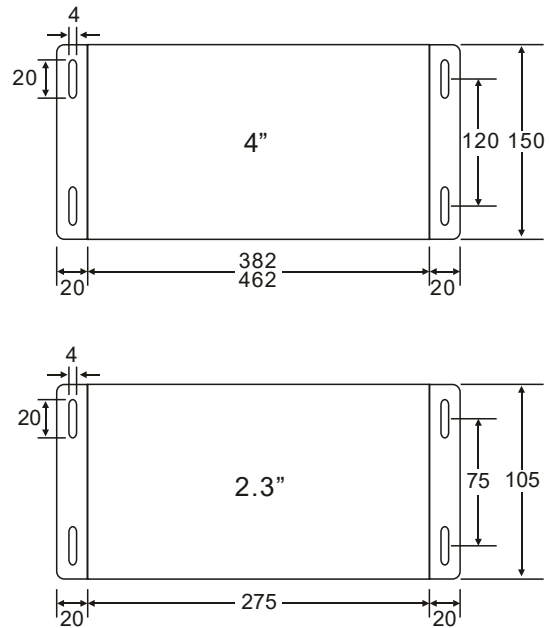
FIXING METHOD (Exposed Fixing Type)



TRIPOD DIMENSION (mm)



PANEL TYPE TRIPOD DIMENSION (mm)



Panel Cut-Out

●4" (10cm):

3 digits: 382(L)*150(H)*60(D)mm

4 digits: 462(L)*150(H)*60(D)mm

●2.3" (5.8cm):

3/4/5 digits: 275(L)*120(H)*60(D)mm