

- For rainfall measurement, and according to national standards.
- The core component of the rain sensor, adopts 3D streamline design, It can make the shunt disc more smoother when shunting, and it can clean dust by itself.

**SPECIFICATION**

- ◆ Diameter of barrel groove: Ø200mm
- ◆ Output mode: pulse wave
- ◆ Acute angle of cutting edge: 40°~ 45°.
- ◆ Resolution: standard 0.2mm (optional 0.5mm)
- ◆ Working temperature: 0 ~ 50 °C.
- ◆ Working humidity: <95%(40°C)
- ◆ Storage temperature: -40~125°C
- ◆ Storage humidity: <80%(non-condensing)
- ◆ Measurement accuracy: ≤3%
- ◆ Power supply range: 4.5~30V
- ◆ Withstand voltage: ≤ 100V.
- ◆ Withstand current: ≤0.5A.
- ◆ Material: 304 stainless steel
- ◆ Rainfall range: 0~4mm/min (maximum 8mm/min)

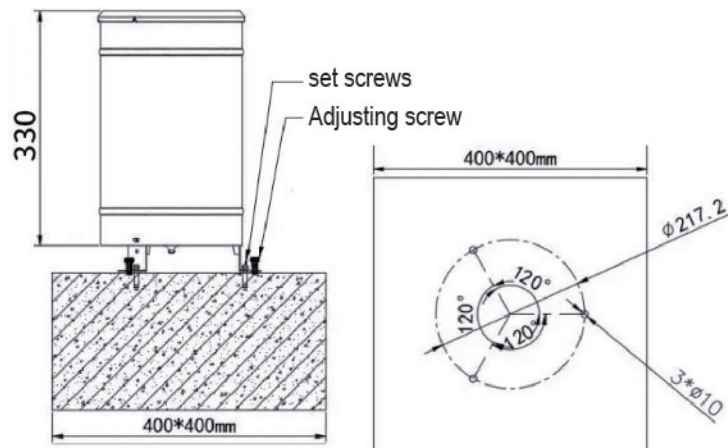
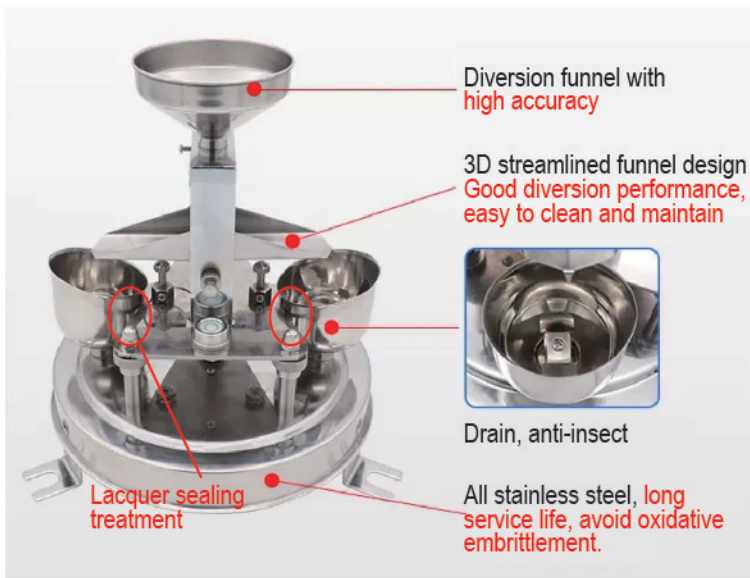


Effectively prevent insects from crawling in and prevent debris such as leaves from blocking. Rainwater flows downwards, making the measurement more accurate.

**WIRING CONNECTION**

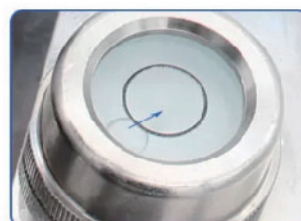


**INSTALLATION**



Just adjust the instrument to adjust the level bubble to the center position, no need to adjust the inclination angle on site.

The tilt angle adjustment screw has been locked at the optimal tilt angle before shipping. At the base point position, the inclination screw has been sealed with red paint.



**ORDER INFORMATION**

DC-YL- Code1 -5-02

Code1	Output Signal
PL	NPN
N01	RS-485 Modbus RTU