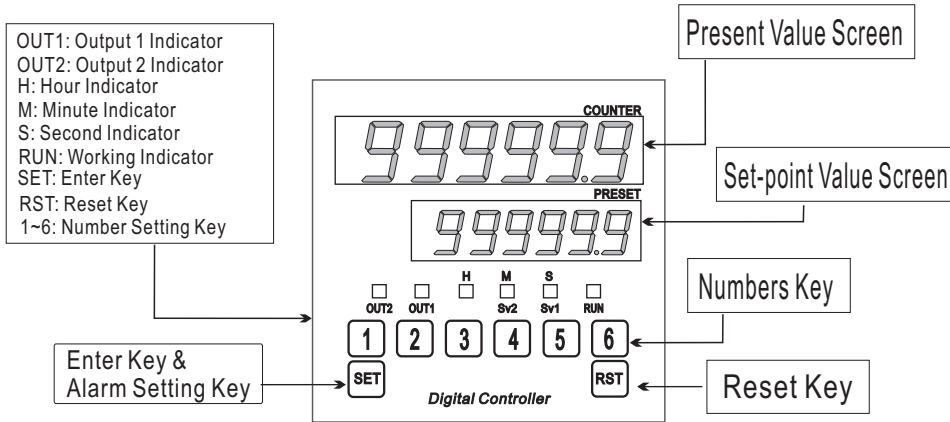


\* Please understand key indicators & functions at the first operation.

FRONT PANEL & KEY FUNCTIONS



Key Name	Symbol	Descriptions
Enter Key & Alarm Setting Key	SET	1. In the measuring status, press this key can enter to alarm setting pages. 2. In the measuring status, press this key for 5 secs can enter to parameters group. 3. In the parameter setting, press this key can save the value & go to next parameter.
Reset Key	RST	1. Press this key to enable the reset function.
Numbers Key	1 2 3 4 5 6	1. In the alarm setting, press each number key can increased up the digit. 2. In the parameter setting, press any number key can enter to the setting digit, the value will be increased up.

- \*\*1. The following block charts are parameters codes, parameter codes & parameters will alternate flashing if the parameters can be modified.
- To modify the parameters, please press any number keys, and press SET to save the parameter after the modification.
  - Please don't forget the new pass code after modification.

GENERAL MODE OPERATING PROCEDURES

Block Charts	Display	Descriptions	Default	
Power On	123456	Measuring Status	Present value for measurement	
Press (SET)	5U2	Alarm 1 Setpoint (SV2)	1. Press SET key to enter alarm setpoint page. 2. Press any number keys to modify alarm 1 setpoint, then press SET to save the parameter.	000000
Press (SET)	5U1	Alarm 2 Setpoint (SV1)	1. Press any number keys to modify alarm 2 setpoint, then press SET to save the parameter.	000000

GENERAL MODE OPERATING PROCEDURES

Block Charts	Display	Descriptions	Default	
Power ON	123456	Measuring Status	Present value for measurement	
Press (SET) for 5sec	rAn	Timing Unit Setting (MOd)	1. Press any number keys to select timing units, then press SET to save the parameter. *9999.99 sec; 9999.99 min, 9999.99 hr, 99.99.99 (hr.min.sec.)	999999
Press (SET)	nod	Counting Mode Setting (MOd)	1. Press any number keys to select counting mode, then press SET to save the parameter. (0: increase the timing; 1: decreased the timing)	SP-0
Press (SET)	PAU	Pause Timing Setting (PAU)	1. Press any number keys to select pause timing setting, then press SET to save the parameter. 0: The meter power on, the meter starts timing; the contact input is shorted, the meter stop timing. 1: The meter power on, the contact input is shorted, the meter starts timing, the contact input is opened, the meter stop timing.	0
Press (SET)	OUt	Alarm Mode Setting (OUt)	1. Press any number keys to select alarm mode, then press SET to save the parameter. (N, R, C, L, K, Q, A)	C
Press (SET)	dtIn	Alarm delay Time Unit Setting (dtIm)	1. Press any number keys to select alarm delay time unit, then press SET to save the parameter. (S:sec; M:min; H:hour)	5
Press (SET)	tIn	Alarm Run Time Setting (tlm)	1. Press any number keys to modify alarm run time, then press SET to save the parameter.	0.50
Press (SET)	HOd	Memory Hold Setting (HOd)	1. Press any number keys to select memory hold, then press SET to save the parameter. (Yes, No)	YES
Press (SET)	LCK	Key Lock Setting (LCK)	1. Press any number keys to modify key lock function, then press SET to save the parameter. 0000: all of parameters can be modified. 0001: Only LCK, SV1, SV2, SV can be modified. 0110: Only LCK can be modified. 1111: All of the functions are locked, including RST key.	0000