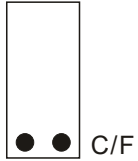
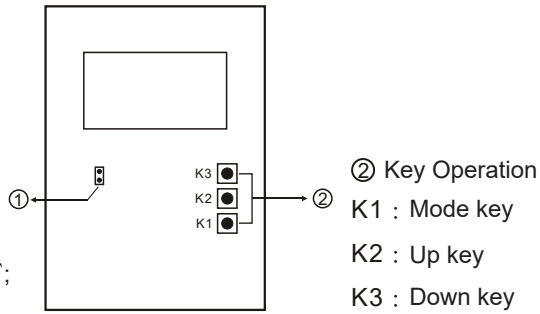


FUNCTION KEY DESCRIPTION

① Select °F/ °C



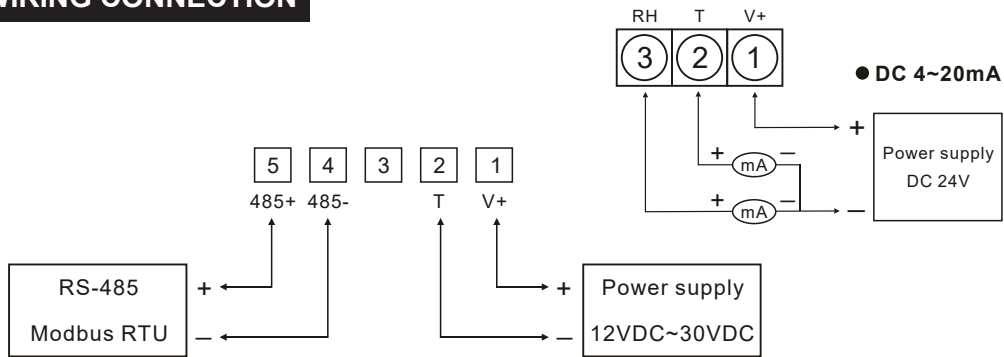
C/F :
When short-circuited, the display unit is °F;
when open-circuited, it is °C



② Key Operation

- K1 : Mode key
- K2 : Up key
- K3 : Down key

WIRING CONNECTION

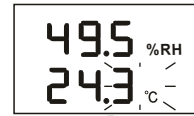


RS-485 PROTOCOL

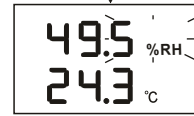
Address	Code	Word	Function	Range
0000H	03H	1	Temperature	-400~1328 (-40.0~132.8°C)=FE70H~0530H
0001H	03H	1	Humidity	0~1000 (0~100.0%)=0000H~03E8H
0002H	03/06H	1	Temperature adjustment	-100~100 (-10.0~10.0°C)=009CH~0064H
0003H	03/06H	1	Humidity adjustment	-100~100 (-10.0~10.0°C)=009CH~0064H
0004H	03/06H	1	Sampling time	10~100 (1.0~10.0秒)=000AH~0064H
000AH	03H	1	Dew Point (Option)	0~300 (0.0~30.0°C)=0000H~012CH

Programming Mode Operating Procedures

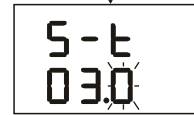
Press the K2+K3 keys for 2-3 seconds, the displayed value will flash and enter the setting mode.



1. Press the K1 key again, and the temperature tenths will flash at this time. Use the K2 or K3 keys to correct the temperature display value.



2. Press the K1 key again, and the humidity tenths will flash. Use the K2 or K3 keys to correct the humidity display value.



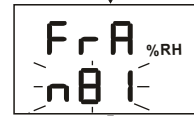
3. Press the K1 key again, and set the reaction speed at this time. Use the K2 or K3 keys to set the reaction speed to 1.0~10.0. Factory value is 3.0 seconds.



4. Press the K1 key again, and at this point, set the location (Address). Use the K2 or K3 keys to set positions 1-255.



5. Press the K1 key again, and at this point, set Baudrate. Use the K2 or K3 keys to select 96 (9600) or 192 (19200).



6. Press the K1 key again, and at this time, set the communication format (Frame). Use the K2 or K3 keys to select n81. n82. o81. E81.



7. Press the K1 key again, and this is the clear data key. NO is changed to the new set value, and YES is the factory corrected value restored. Use K2 or K3 keys to determine YES or NO. Default value is NO.



8. Press the K1 key again to restore the value.