

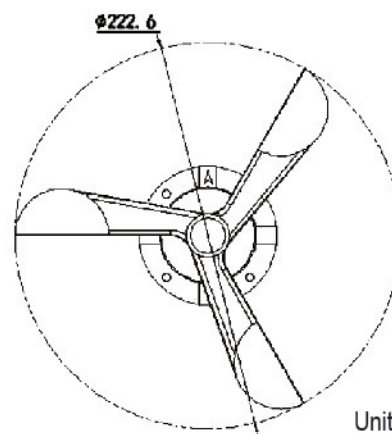
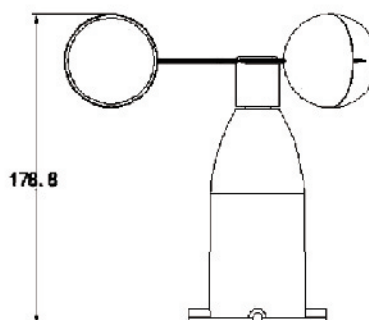
- Measuring range: 0~30m/s, corresponding to 4~20mA/ 0~10V/ RS-485 variation (resolution: 0.1m/s).
- High performance imported bearing, small rotation resistance, accurate measurement.
- **All aluminum shell**, high mechanical strength, high hardness, corrosion resistance, no rust, can be used outdoors for a long time.



SPECIFICATION

- ◆ Power supply: 10~30VDC
- ◆ Maximum power consumption: 1.2W
- ◆ Resolution: 0.1m/s
- ◆ Operating temperature: -20°C~+60°C, 0%RH~80%RH
- ◆ Measurement range: 0~30m/s
- ◆ Start-up speed: ≤ 0.2m/s
- ◆ Dynamic influence time: ≤ 0.5s
- ◆ Output signal: 4~20mA
- ◆ Load capacity: ≤ 600Ω

DIMENSION



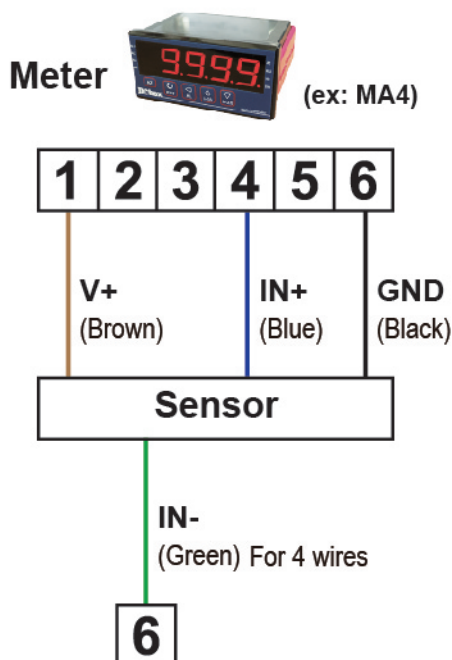
Unit: mm

ORDER INFORMATION

DCFS- Code1

Code1 Wind Speed Signal	
A	4~20mA
V	0~10V
Y	RS-485
O	Option

WIRING CONNECTION



INSTALLATION DIMENSION

